

Entry / ECO

Standard / STD

Professional / PRO

ODM & OEM

Intelligent / INT



PRO
Specifications



LED Downlight
DL361 Series





Introduction

DL361 is a deep reflector design, it has a wider shielding angle which can lower the glare and reach $UGR < 19$. Adopt bridgelux brand COB light source, $CRI > 90$ for a more real lighting effect, multiple beam angle for option. For structure, it adopts ADC12 aluminum housing to assure a better thermal management, great light transmittance with transparent tempered glass. Dimmable driver shares great popularity by the excellent dimming effect.

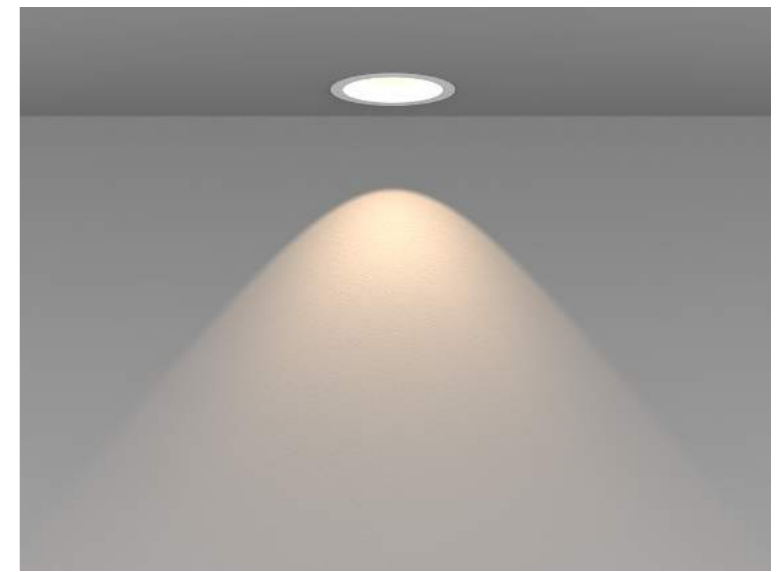
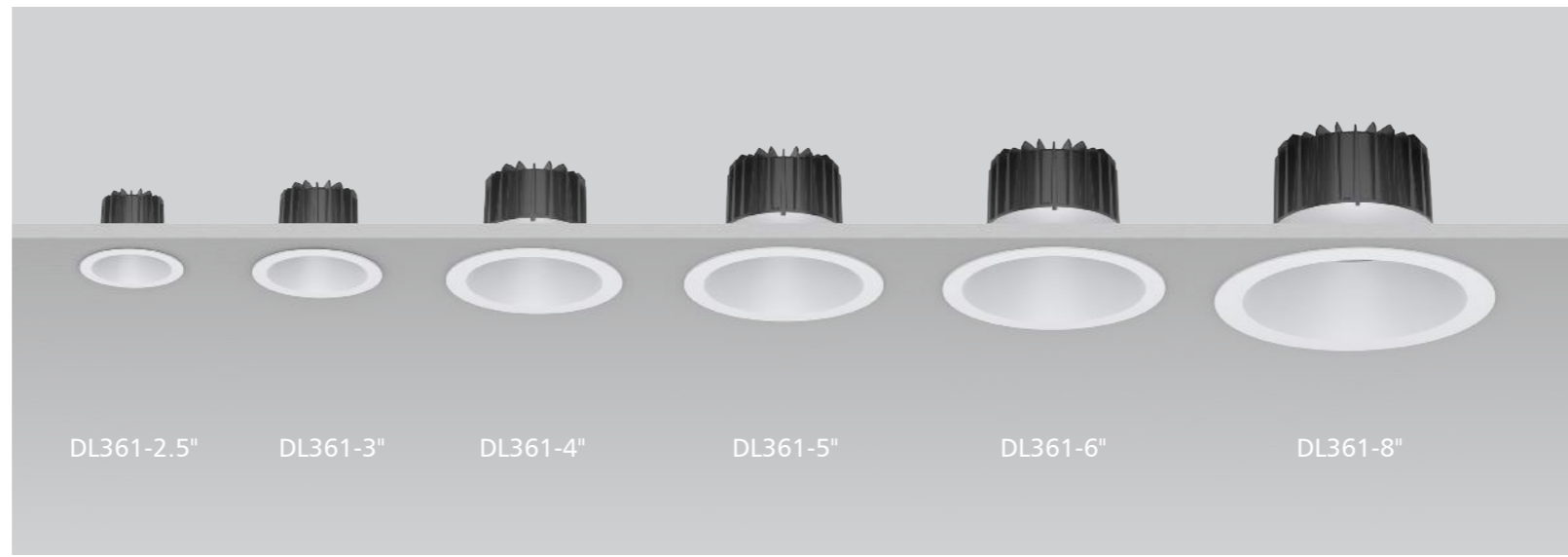
Features

- Deep reflector design with wider shielding angle to achieve $UGR < 19$.
- ADC12 aluminum die-casting housing provides excellent thermal dissipation.
- IP44 in front part.
- $CRI > 90$ for a more real lighting effect.
- External flicker free driver.
- Dimming ways: Triac dim, 0-10V, DALI
- From 2.5/3/4/5/6/8" full sizes COB downlight

Application Areas

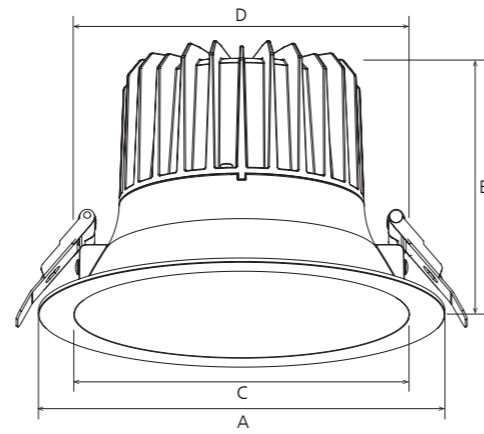
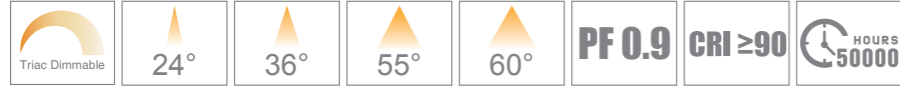
It is designed for general lighting applications in supermarket, shop, school, hotel etc. It is also widely used for public areas, such as stairway, lobby, reception, corridors etc.





Technical Data Sheet

Code No.	DL361-2.5-7W	DL361-3-10W	DL361-4-13W	DL361-4-18W	DL361-5-18W	DL361-5-25W	DL361-6-18W	DL361-6-25W	DL361-6-30W	DL361-8-18W	DL361-8-25W	DL361-8-35W	DL361-8-40W		
Dimension(mm)	Ø85*H56	Ø110*H75	Ø150*H97		Ø170*H112		Ø190*H120			Ø240*H142					
Cutout (mm)	Ø68-75	Ø90-100	Ø120-130		Ø140-150		Ø160-170			Ø195-230					
Watt(W)	7W	10W	13W	18W	18W	25W	18W	25W	30W	18W	25W	35W	40W		
Rated Input Voltage(V)	AC230V														
Input Voltage(V)	AC220-240V														
LED Module Input	DC33-38V														
Light Source	COB														
SDCM	<4														
CCT(K)	1-CCT: 2700K/3000K/4000K/5000K														
CCT Selection DIP Switch	-														
Luminous Flux (lm) ±5%	1-CCT	Non-DIM	500-630	950-1040	1150-1250	1600-1800	1700-1950	2500-2750	1750-1950	2460-2750	2920-3200	1750-1900	2530-2750	3220-3650	3750-4250
		DIM	500-630	870-950	1070-1170	1600-1800	1700-1950	2300-2530	1750-1950	2270-2530	2730-3000	1750-1900	2330-2530	3040-3440	3390-3840
	3-CCT	Non-DIM													
		DIM													
CRI	Ra > 90														
Beam Angle (°)	24° / 36° / 55°		24° / 36° / 60°												
UGR (COB)	24°/36°	UGR<19	UGR<14	UGR<14	UGR<14	UGR<16	UGR<14	UGR<14	UGR<14	UGR<14	UGR<14	UGR<14	UGR<14	UGR<14	
	55°/60°	UGR<19	UGR<19	UGR<19	UGR<19	UGR<19	UGR<19	UGR<19	UGR<19	UGR<19	UGR<19	UGR<19	UGR<19	UGR<19	
LED Driver	built-out														
Dimming Option	Triac														
Sensor	No														
Emergency Kits	No														
Electrical Class	Class II														
Ingress Protection (IP Rating)	IP44(Below Ceiling) IP20(Inside Ceiling)														
Impact Resistance (IK Rating)	-														
Product Finishing(Base)	Black RAL9005/White RAL9016														
Materials of Optics	Aluminum+PC transparent cover														
Materials of Housing	Aluminum Die-casting														
Lifetime (hr)	50,000h														
Glow wire test (°C)	750°C														
Operating Temp. (°C)	-20°C~45°C														
Storage Temp. (°C)	-20°C~65°C														
Installation	Recessed														



Measurement

Code	Dimension(mm)				Size(mm)	Product Weight (Kg)		Package weight (Kg)		Carton Size(cm)	Qty/CTN	20GP (pcs)	40HQ (pcs)
	A	B	C	D		N.W/PC	G.W/PC	N.W/CTN	G.W/CTN				
DL361-2.5	85	56	62	67.8	Ø85*56	0.20	0.28	13.44	15.00	48.5*36.5*32.5	48	23520	54528
DL361-3	110	75	85	90	Ø110*75	0.30	0.38	18.00	19.52	56*42.5*38.5	48	12720	30528
DL361-4	150	97	115	119	Ø150*97	0.44	0.54	12.96	14.48	53*36*46.5	24	6144	15600
DL361-5	170	112	135	139	Ø170*112	0.61	0.76	18.24	19.76	59*40*56.5	24	4992	9984
DL361-6	190	120	156	157	Ø190*120	0.70	0.85	10.20	11.60	44*44*44.5	12	3900	7800
DL361-8	240	142	191	194	Ø240*142	0.93	1.08	6.48	8.08	54.5*28*50.5	6	2016	5040

Driver Datasheet(Non-dimmable)

Total load wattage		7W	10W	13W	18W	25W	30W	35W	40W
Output	Output Voltage range	DC25-42V	DC30-40V						
	Rated output current	160mA	250mA	320mA	450mA	650mA	800mA	900mA	1050mA
	Line Regulation	±5%							
	Setup, Rise Time	<500ms @230V							
	Flickering Index	0.5%(NO RISK)			0.8%(NO RISK)	0.5%(NO RISK)			
Input	Input Voltage	AC200-264V							
	Rated Input Voltage(V)	AC220-240V							
	Frequency	50/60Hz							
	Input Current	≤0.04A	≤0.06A	≤0.08A	≤0.11A	≤0.15A	≤0.18A	≤0.2A	≤0.24A
	Rated Input Current	≤0.04A	≤0.06A	≤0.07A	≤0.1A	≤0.14A	≤0.17A	≤0.19A	≤0.22A
	Power Factor	0.85	0.9						
	THD	<20% @230V							
	Efficiency	≥80%	≥86%	≥88%	≥90%				
	No load wattage	< 0.5W @230V							
Protection	Short circuit protection	PASS							
	Over voltage protection	PASS							
	Over temperature protection	PASS							
Safety & EMC	Withstand voltage	I/P-O/P:3.75KVac, <5mA 60S							
	Isolation Resistance	I/P-O/P: 500VDC, ≥100M Ω							
	Surge	IEC/EN61000-4-5(P<25W; L-N:500V)				IEC/EN61000-4-5 (P≥25W L-N:1KV)			
	EMC Emission	IEC/EN55015, IEC/EN61000-3-2							
	EMC Immunity	IEC/EN61000-4-2,3,4,5,6,8,11; IEC/EN61547							

Driver Datasheet(Triac Dimmable)

Total load wattage		7W	10W	13W	18W	25W	30W	35W	40W	
Output	Output Voltage range	DC23-40V	D24-38V	DC30-40V						
	Rated output current	160mA	230mA	300mA	450mA	600mA	750mA	850mA	950mA	
	Line Regulation	±5%								
	Setup, Rise Time	<500ms @230V								
	Flickering Index	5%(LOW RISK)			4%(LOW RISK)	3%(LOW RISK)				
Input	Input Voltage	AC200-264V								
	Rated Input Voltage(V)	AC220-240V								
	Frequency	50Hz								
	Input Current	≤0.04A	≤0.05A	≤0.06A	≤0.08A	≤0.11A	≤0.15A	≤0.18A	≤0.2A	≤0.23A
	Rated Input Current	≤0.04A	≤0.04A	≤0.06A	≤0.07A	≤0.1A	≤0.14A	≤0.17A	≤0.19A	≤0.21A
	Power Factor	0.9	0.8	0.9						
	THD	<20% @230V								
	Efficiency	≥78%	≥76%	≥80%	≥83%	≥84%				
	No load wattage	<0.5W @230V								
Protection	Short circuit protection	PASS								
	Over voltage protection	PASS								
	Over temperature protection	PASS								
Safety & EMC	Withstand voltage	I/P-O/P:3.75KVac, <5mA 60S								
	Isolation Resistance	I/P-O/P: 500VDC, ≥100M Ω								
	Surge	IEC/EN61000-4-5(P<25W; L-N:500V)				IEC/EN61000-4-5 (P≥25W L-N:1KV)				
	EMC Emission	IEC/EN55015, IEC/EN61000-3-2								
	EMC Immunity	IEC/EN61000-4-2,3,4,5,6,8,11; IEC/EN61547								

Installation Procedure

WARNING ⚡

1. Switch off before installation.
2. Switch on only after complete installation and examination of the circuit.
3. Professional electrician for installation and maintenance only.



Downlight with external driver

