

Entry / ECO

Standard / STD

Professional / PRO

ODM & OEM

Intelligent / INT



LED Downlight
DL341 Series





Introduction

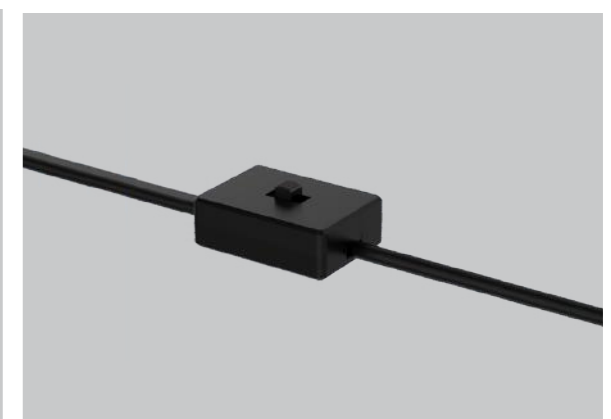
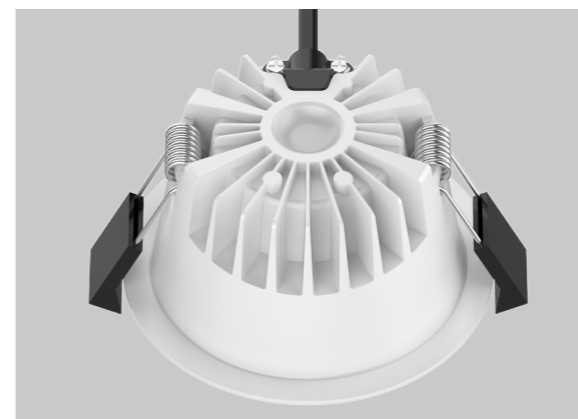
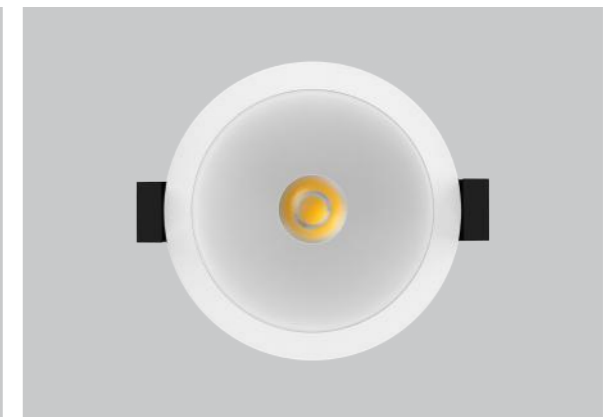
DL341 is an anti-glare downlight. It adopts high lumen COB light source, deep reflector makes the second lighting output and low glare UGR<19, which provides a comfortable visual experience. Besides, it supports changeable CCT to achieve more application demands. Aluminum profile provides excellent thermal dissipation and ensure a long lifespan. Dimmable driver shares great popularity by the excellent dimming effect.

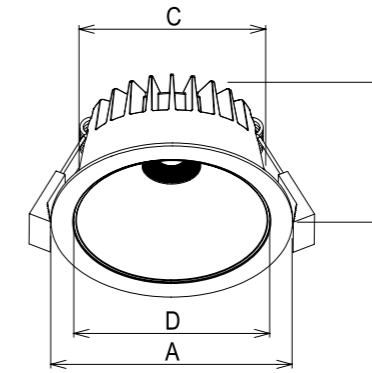
Features

- Deep reflector design with UGR<19.
- Aluminum die-casting heatsink provides excellent thermal dissipation.
- IC-4 approved.
- IP54 in front part.
- Interchangeable CCT (3000K+4000K+5700K) with slide switch.
- External flicker free driver.
- Dimming ways: Triac dim, 0-10V, DALI.

Application Areas

It is designed for general lighting applications in supermarket, shop, school, hotel etc. It is also widely used for public areas, such as stairway, lobby, reception, corridors etc.





Technical Data Sheet

Code No.	DL341A-2.5-6W	DL341A-2.5-8W	DL341B-2.5-6W	DL341B-2.5-8W	DL341-3-8W	DL341-3-10W		
Dimension(mm)	Ø80*46		Ø95*51		102*51			
Cutout (mm)	Ø68-75		Ø80-85		Ø90-95			
Watt(W)	6W	8W	6W	8W	8W	10W		
Rated Input Voltage(V)	AC230V							
Input Voltage(V)	AC220-240V							
LED Module Input	-							
Light Source	COB							
SDCM	<6							
CCT(K)	1-CCT: 3000K/4000K/5000K 3-CCT: 3000K + 4000K + 5700K							
CCT Selection DIP Switch	YES							
Luminous Flux (lm) ±5%	Non-DIM	1-CCT	450-620	720-850	540-650	720-890	720-890	920-1080
			DIM	420-520	650-800	520-620	680-840	680-840
	Non-DIM	3-CCT	455-580	650-760	455-580	650-760	650-760	770-890
			DIM	400-540	610-730	400-540	610-730	610-730
Black lumen decreased 15%								
CRI	≥80							
Beam Angle (°)	36° / 60°							
UGR	<19 (Black) / <23(White)							
LED Driver	built-out							
Dimming Option	Triac							
Sensor	NO							
Emergency Kits	NO							
Electrical Class	Class II							
Ingress Protection (IP Rating)	IP54(Below Ceiling) IP20(Inside Ceiling)							
Impact Resistance (IK Rating)	-							
Product Finishing(Base)	White RAL 9016 / Black RAL9005							
Materials of Optics	PMMA							
Materials of Housing	Aluminum die-casting /PC							
Lifetime (hr)	50,000h							
Glow wire test (°C)	750°C							
Operating Temp. (°C)	-20°C ~45°C							
Storage Temp. (°C)	-20°C ~65°C							
Installation	Recessed							

Measurement

Code	Dimension(mm)				Size(mm)	Product Weight (Kg)		Package weight (Kg)		Carton Size(cm)	Qty/CTN	20GP (pcs)	40HQ (pcs)
	A	B	C	D		N.W/PC	G.W/PC	N.W/CTN	G.W/CTN				
DL341A-2.5"	80	46	66	60	Ø80*46	0.21	0.28	8.4	9.3	36.5*29*38	30	22140	44820
DL341B-2.5"	95	51	80	75	Ø95*51	0.21	0.28	8.4	9.3	36.5*28.5*37	30	22680	54180
DL341-3"	102	51	86	81	Ø102*51	0.26	0.36	8.6	9.55	36.5*28.5*37	30	22680	54180

Driver Datasheet(Non-dimmable)

Total load wattage		6W	8W	10W
Output	Output Voltage range	DC28-40V		
	Rated output current	130mA	190mA	230mA
	Line Regulation	±5%		
	Setup, Rise Time	<0.5S		
	Flickering Index	<7%(LOW RISK)		
Input	Input Voltage	AC220-240V		
	Rated Input Voltage(V)	AC230V		
	Frequency	50HZ		
	Input Current	0.04A	0.05A	0.06
	Rated Input Current	≤0.03A	≤0.04A	≤0.05A
	Power Factor	0.85		
	THD	<30% @230V		
	Efficiency	80%		
	No load wattage	≤0.5W		
Protection	Short circuit protection	Pass		
	Over voltage protection	Pass		
	Over temperature protection	Pass		
Safety & EMC	Withstand voltage	O/P-FG:0.5KVac, <5mA 60S		
	Isolation Resistance	I/P-O/P: 500VDC, ≥100M Ω		
	Surge	IEC/EN61000-4-5(P<25W; L-N:500V)		
	EMC Emission	EN55015, EN61000-3-2		
EMC Immunity	EN61000-4-2,3,4,5,6,8,11; EN61547			

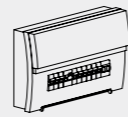
Driver Datasheet(Triac Dimmable)

Total load wattage		6W	8W	10W
Output	Output Voltage range	DC30-40V		DC23-38V
	Rated output current	130mA	180mA	215mA
	Line Regulation	±5%		
	Setup, Rise Time	<0.5S		
	Flickering Index	<7%(LOW RISK)		
Input	Input Voltage	AC200-240V		
	Rated Input Voltage(V)	AC230V		
	Frequency	50HZ		
	Input Current	0.04A	0.05A	0.06
	Rated Input Current	≤0.03A	≤0.04A	≤0.05A
	Power Factor	0.85		
	THD	-		
	Efficiency	68%	75%	
	No load wattage	≤0.5W		
Protection	Short circuit protection	Pass		
	Over voltage protection	Pass		
	Over temperature protection	Pass		
Safety &EMC	Withstand voltage	O/P-FG:0.5KVac, <5mA 60S		
	Isolation Resistance	I/P-O/P: 500VDC, ≥100M Ω		
	Surge	IEC/EN61000-4-5(P<25W; L-N:500V		
	EMC Emission	EN55015, EN61000-3-2		
	EMC Immunity	EN61000-4-2,3,4,5,6,8,11; EN61547		

Installation Procedure

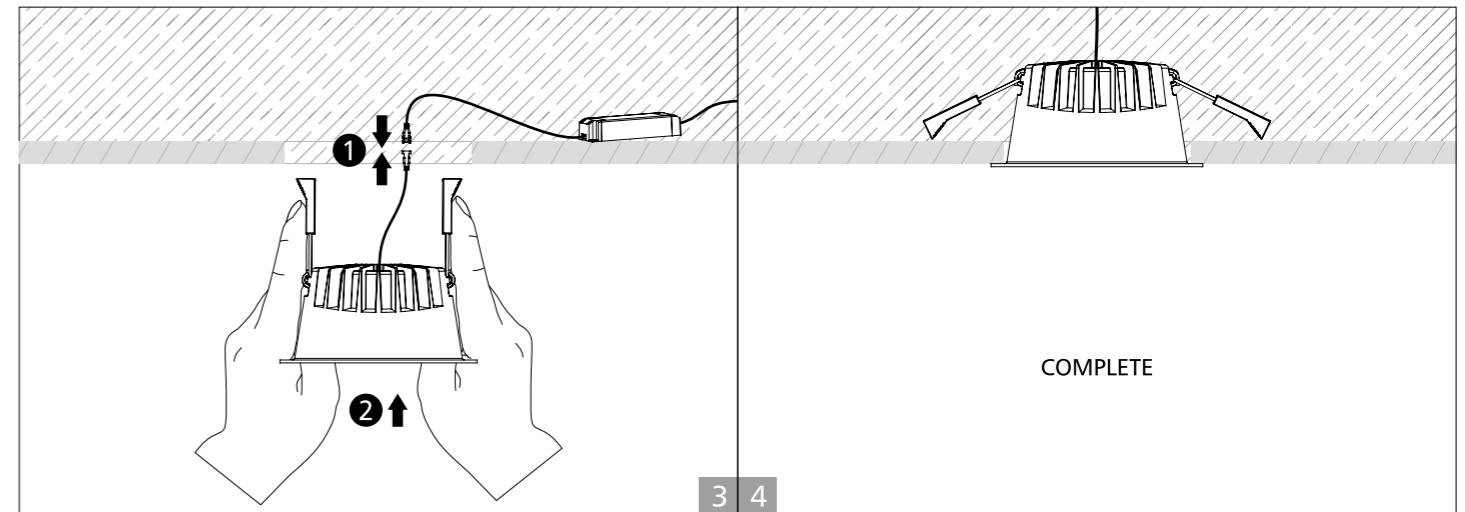
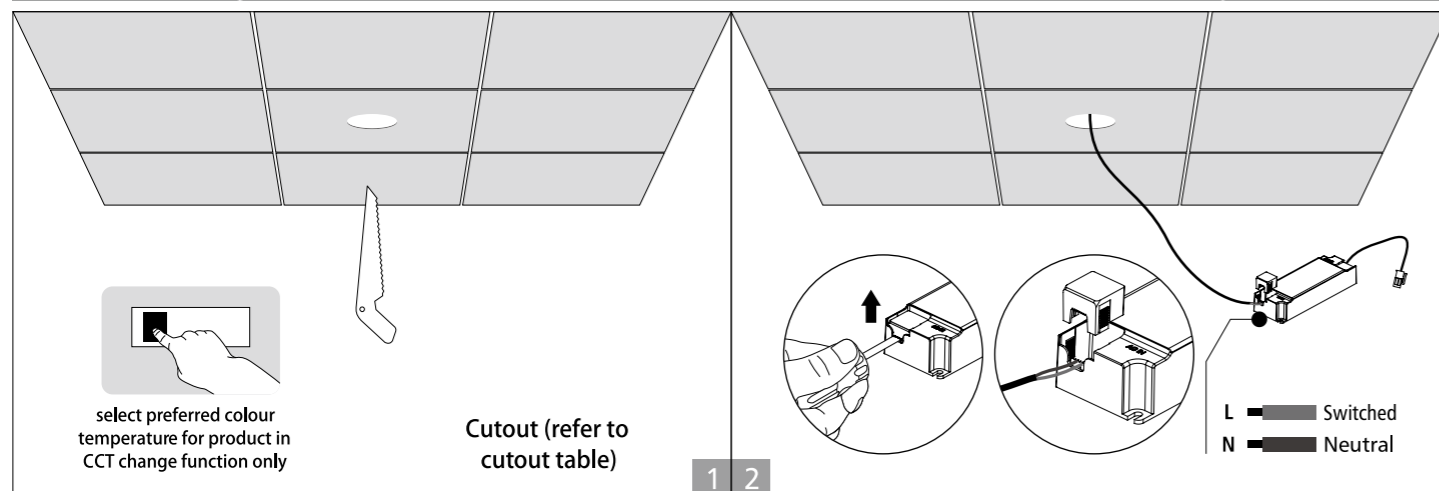
WARNING

- 1.Switch off before installation.
- 2.Switch on only after complete installation and examination of the circuit.
- 3.Professional electrician for installation and maintenance only.
- 4.Input wire diameter ≥0.75mm²;
- 5.Product modification and improper installation are not valid for warranty!
- 6.Light source of the luminaire is non-user-replaceable, if it is damaged, the luminaire shall be destroyed.
- 7.Warning-risk of overheating or fire if the clearance distances are compromised!



CAUTION
Risk of electric shock

Downlight with external driver



Lampshade replacement

