



# LED Downlight

## DL201

# Introduction



◀ DL201 downlight with traditional deep reflector (UGR<19) that provides perfect combination of high lighting efficiency, comfortable lighting and humanization design, without compromising on light performance(color rendering and color uniformity); It offers a wide option for creating the desired ambience.

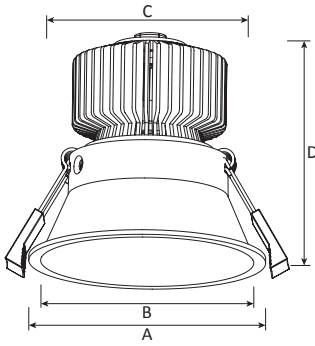
## Features

1. UGR<19, anti glare design with deep reflector.
2. Supreme 6063 aluminum heat sink provides excellent thermal management.
3. External driver.
4. Easy for installation and maintenance.

## Application Areas

It is suitable for supermarket, specialty store, show window, exhibition hall; etc.





## Measurement

Model	Dimension(mm)				Size(mm)	Product Weight (Kg)		Package weight (Kg)		Carton Size(cm)	Qty/CTN	20GP (pcs)	40HQ (pcs)
	A	B	C	D		N.W/PC	G.W/PC	N.W/CTN	G.W/CTN				
2.5"-A	80	72	75	87	Ø80*87	0.26	0.27	9.36	11.2	65*36.5*28.5	36	16128	36612
2.5"-B	85	73	75	81	Ø85*81	0.27	0.37	9.7	14.8	65*36.5*28.5	36	16128	36612
3"	100	90	90	94	Ø100*94	0.315	7.56	0.415	11.5	50*38*29	24	12288	28728
3.5"	105	96	100	145	Ø105*145	0.375	0.525	9	14	54*41*38	24	8640	20160

## Technical Data Sheet

Model No.	DL201A-2.5-10W		DL201B-2.5-10W		DL201-3-13W		DL201-3.5-13W	
Watt(W)	10W		10W		13W		13W	
Dimension(mm)	Ø80*87		Ø85*81		Ø100*94		Ø105*145	
Cutout(mm)	Ø75		Ø75		Ø90		Ø100	
Rated Input Voltage(V)	AC230V							
Input Voltage(V)	AC200-240V							
LED	COB							
SDCM	<6							
CCT(K)	1-CCT: 2700K / 3000K / 4000K / 5000K							
"Luminous Flux (lm) ±5%"	1-CCT	Non-DIM	710~910	710~910	970~1170	870~1100		
		DIM	700~900	700~900	920~1120	850~1080		
CRI	>80							
Beam Angle (°)	36°							
LED Driver	Built-out							
DIM	Yes							
Protection Class	Class II							
IP Rating	IP40							
IK Rating	IK06							
Finishing color	Black RAL9005 / White RAL 9016							
Material	Aluminum							
Lifetime (hr)	50,000h							
Glow wire test (°C)	850°C							
Operating Temp.(°C)	-20°C ~45°C							
Storage Temp.(°C)	-20°C ~65°C							
Installation	Recessed							
Brand Driver option	Philips, Tridonic, Meanwell							

## Driver Datasheet (Non-dimmable )

Power	10W	13W
Rated Input Voltage(V)	AC230V	
Frequency	50/60Hz	
Input Voltage	AC200-240V	
Efficiency	≥79%	≥82%
Total load wattage	10W±1W	13W±1W
Power Factor	0.9	
Rated Input Current	≤0.06A	≤0.08A
Full load output voltage	DC28-40V	DC28-40V
Rated output current	230mA	300mA
Output current range	230mA±5%	300mA±5%
Power tolerance	5%	
Current output tolerance	5%	
Short circuit protection	PASS	
Over voltage protection	PASS	
Over temperature protection	PASS	
THD	<20% @ 230V	
Surge	L-N 0.5KV	
Withstand voltage	AC3750V	

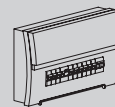
## Driver Datasheet (Triac Dimmable)

Power	10W	13W
Rated Input Voltage(V)	AC230V	
Frequency	50Hz	
Input Voltage	AC200-240V	
Efficiency	≥82%	≥82%
Total load wattage	10W±1W	13W±1W
Power Factor	0.85	0.9
Rated Input Current	≤0.06A	≤0.08A
Full load output voltage	DC23-40V	DC23-40V
Rated output current	230mA	280mA
Output current range	230mA±5%	280mA±5%
Power tolerance	5%	
Current output tolerance	5%	
Dimming Range	10%-100%	
Short circuit protection	PASS	
Over voltage protection	PASS	
Over temperature protection	PASS	
THD	-	
Surge	L-N 0.5KV	
Withstand voltage	AC3750V	

# Installation Procedure

## WARNING

1. Switch off before installation.
2. Switch on only after complete installation and examination of the circuit.
3. Professional electrician for installation and maintenance only.

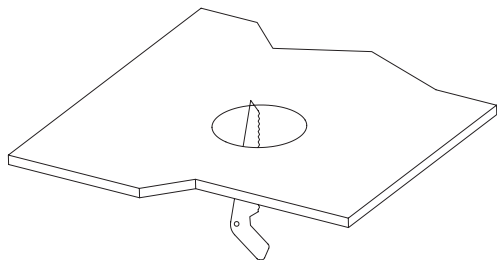


**Turn Off  
Power Supply**

Turn Off power supply before starting any installation. Read instructions & check you have all the tools & accessories to complete the installation correctly.

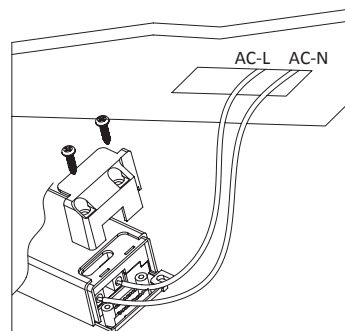
## How to install

### Step 1



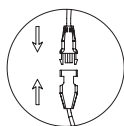
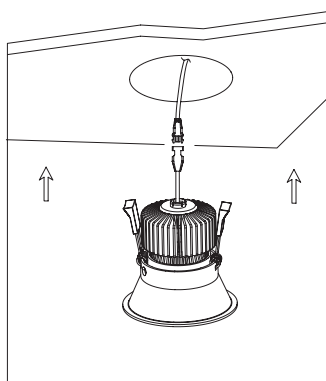
Open a hole according to the cutout size of led downlight.

### Step 2



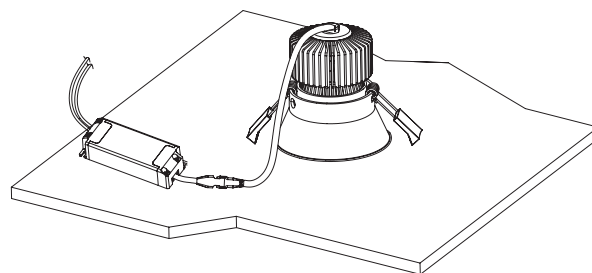
Use screw-driver to open the driver terminal cover, feed the main AC wire L. N. in terminal block respectively, then fix the cover back.

### Step 3



Connect the downlight with driver, hold back the spring clip then push the downlight into the hole.

### Step 4



Connect the downlight with driver, hold back the spring clip then push the downlight into the hole.