



XT-V18 | XT-V36



SKYLINE 2



XT-V18 | XT-V36

Features

- 180~266VAC Input Voltage
- Flicker-free Phase-cut dimmable
- Colour Deviation SDCM<3
- Beam angle 45*120°
- Powder Coated Aluminium
- IP65 Rating Waterproof

Description

Comes in two distinct size options with a minimal design, the wall light offers a 40° asymmetrical light beam and zero colour aberrations, making it the perfect installation for indirect lighting applications. At the IP65 rating waterproof, the wall light brings optimum comfort to the interior and exterior. An unmatched balance between high output and beam control for optimum comfort. Suitable for exterior building walls, interior building rooms, corridors, etc.





XT-V18 | XT-V36





XT-V18 | XT-V36

SPECIFICATIONS

Model	V18	V36
Power	18W	36W
Rated Voltage	220~240 VAC	
Diameter (L*W*H)	173*156*47mm	332*156*47mm
Finish	Textured White / Black	
LED Type	2835SMD / 3030SMD	
LED QTY	36PCS	72PCS
Colour Temp	2700K / 3000K / 4000K / 5000K	
Class	Class I	
Beam Angle	45x120°	
IP Rating	IP65	
CRI	80+ (R9: >0)	
Efficacy	Up to 94lm/W	
Luminous Flux	1499lm	3158lm
Colour Deviation	SDCM≤3	
Lifetime	>72,000h L80B10 50,000h L90B10	
IK Rating	IK06	
Control Gear	Built-in Flicker-Free Phase-Cut Dimmable Driver	
Material	Powder Coated Aluminium	
Certificate	CE RoHS SAA FCC ETL	
Installation Mode	Surface Mounting	
Waterproof Design	Glue Sealing	
Warranty	5 Years	

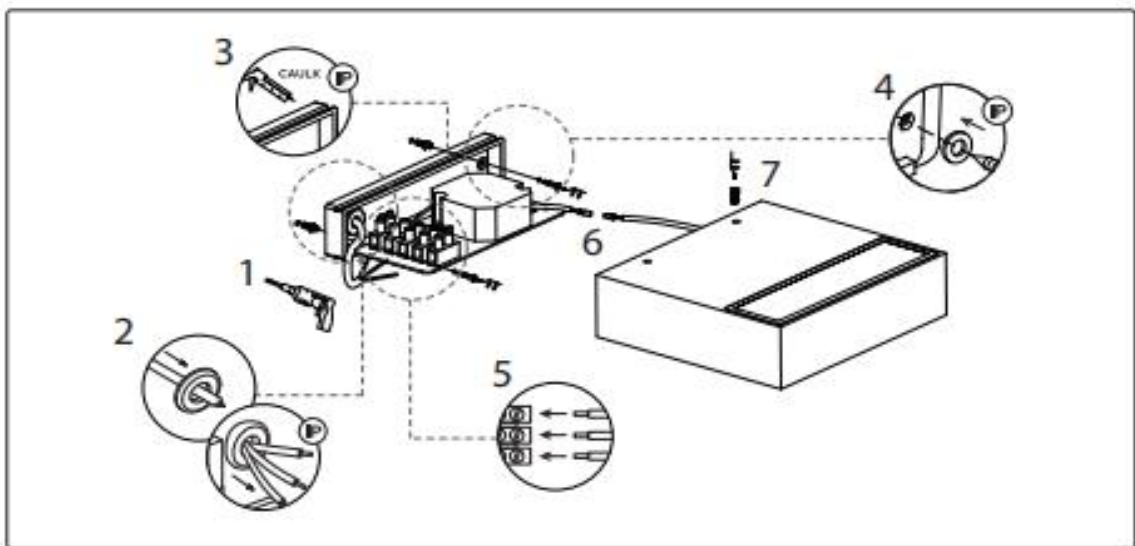


XT-V18 | XT-V36

Installation Instructions

1. Must be installed by a licensed electrician.
2. Before installing, make sure the power supply is switched off.
3. Follow the steps in the figure shown for installation:
 - A. Drill mounting holes and pull wires through mounting plate.
 - B. Fix the mounting plate onto the wall with screws.
 - C. Fix the luminaire onto the mounting bracket with screws.

Model: V18



Model: V36

