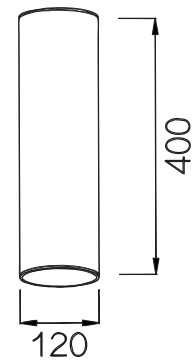
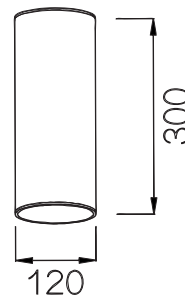
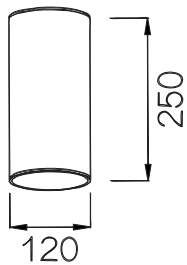
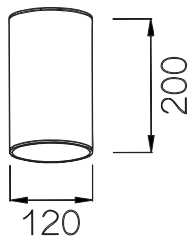
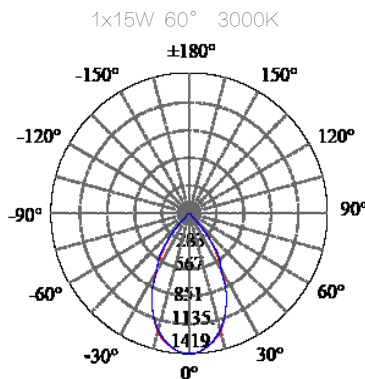
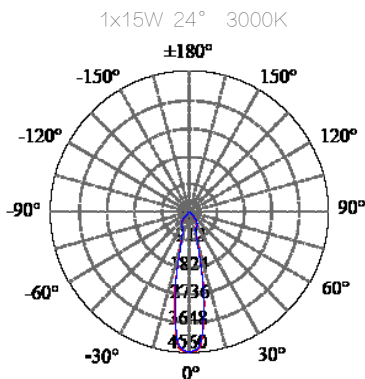


- 316L# stainless steel housing
- 316# stainless steel screws/ Integral gear
- Fire resistant silicone seal waterproof gasket
- 2mm thick toughened glass
- CE/ SAA/ IP65/ Class 1
- Lamp: CREE COB
- CCT: 3000K/4000K/5000K/CRI ≥ 80 (Optional: CRI 90/95)
- Beam Angle: 12° /24° / 36° / 60°
- HEP Driver: 220-240Vac/ Constant current/ WT:-20~+50° C
- Warranty: 3 years (Optional: 5 years)

• CODE	COLOR	• CODE	COLOR	• CODE	COLOR	• CODE	COLOR
SDRDSSM1220	MIRRORED	SDRDSSM1225	MIRRORED	SDRDSSM1230	MIRRORED	SDRDSSM1240	MIRRORED
SDRDSSB1220	BRUSHED	SDRDSSB1225	BRUSHED	SDRDSSB1230	BRUSHED	SDRDSSB1240	BRUSHED
POWER: 1x15/20W		POWER: 1x15/20W		POWER: 1x15/20W		POWER: 1x15/20W	



• PHOTOMETRIC [Unit: cd]



• POWER DETAILS

1x15W	CREE CXA1512	12°	1674lm	/24°	1542lm	/36°	1439lm	/60°	1399lm
1x20W	CREE CXA2520	12°	2225lm	/24°	2153lm	/36°	2042lm	/60°	1965m