

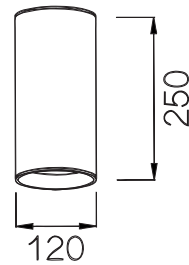
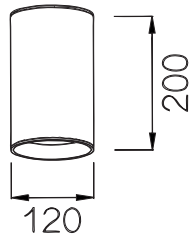
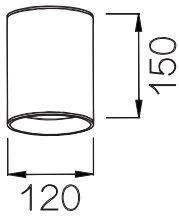


# XT LIGHTING DATASHEET XT-SDRLSS120-150/200/250

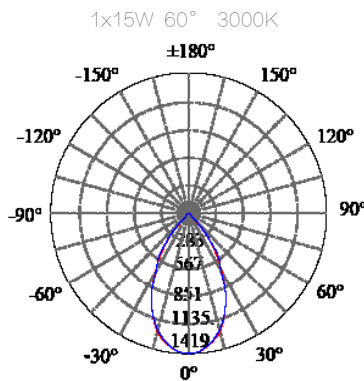
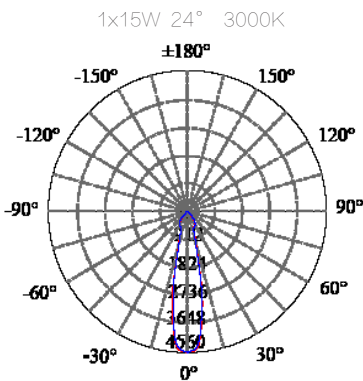


- 316L# stainless steel housing
- 316# stainless steel screws/ Integral gear
- Fire resistant silicone seal waterproof gasket
- 2mm thick toughened glass
- CE/ SAA/ IP65/ Class 1
- Lamp: CREE COB
- CCT: 3000K/4000K/5000K/CRI  $\geq$  80 (Optional: CRI 90/95)
- Beam Angle: 12° /24° / 36° / 60°
- HEP Driver: 220-240Vac/ Constant current/ WT:-20~+50° C
- Warranty: 3 years (Optional: 5 years)

- |                 |              |                 |              |                 |              |
|-----------------|--------------|-----------------|--------------|-----------------|--------------|
| • <b>CODE</b>   | <b>COLOR</b> | • <b>CODE</b>   | <b>COLOR</b> | • <b>CODE</b>   | <b>COLOR</b> |
| SDRSSM1215      | MIRRORED     | SDRSSM1220      | MIRRORED     | SDRSSM1525      | MIRRORED     |
| SDRSSB1215      | BRUSHED      | SDRSSB1220      | BRUSHED      | SDRSSB1525      | BRUSHED      |
| POWER: 1x15/20W |              | POWER: 1x15/20W |              | POWER: 1x15/20W |              |



• **PHOTOMETRIC [Unit: cd]**



• **POWER DETAILS**

1x15W CREE CXA1512 12° 1579lm /24° 1419lm /36° 1399lm /60° 1379lm  
 1x20W CREE CXA2520 12° 2123lm /24° 2058lm /36° 1932lm /60° 1805lm