



XT LIGHTING RECESSED DOWNLIGHT DATASHEET: JR216





Introduction

Introduction:

JR 216 downlight adopts high lumen SMD LED, PC diffuser with even light output. Deep housing design reduces the glare, ADC12 Aluminum profile provides better heat resistance and corrosion resistance. External interchangeable driver make easier maintenance, high cost performance make it more competitive in the market.

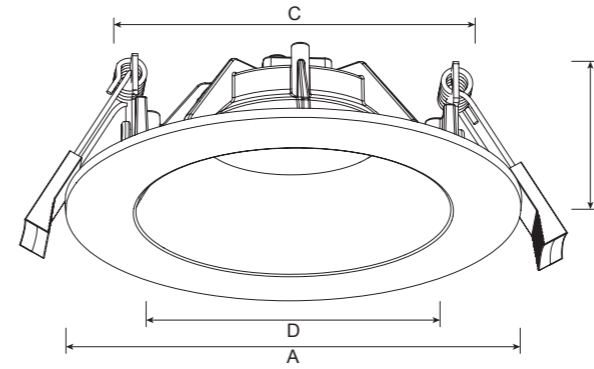
Features

- 90° wide beam angle- High lumen efficiency
- Interchangeable CCT with slide switch
- Triac dimmable
- External driver

Application Areas

It is suitable for supermarket, specialty store, show window, exhibition hall, etc.





Technical Data Sheet

Model No.	JR216-3-8W	JR216-3.5-10W	JR216-4-13W	JR216-5-20W	JR216-7-25W	JR216-8-33W		
Dimension(mm)	Ø115*45	Ø129*45	Ø152*48	Ø175*52	Ø203*56	Ø228*63		
Cutout (mm)	Ø90-105	Ø105-115	Ø125-140	Ø145-160	Ø175-190	Ø205-215		
Watt(W)	8W	10W	13W	20W	25W	33W		
Rated Input Voltage(V)	AC230V							
Input Voltage(V)	AC220-240V							
LED Module Input	DC32-35V							
Light Source	SMD							
SDCM	<6							
CCT(K)	1-CCT: 3000K/4000K/5000K/5700K II 3-CCT: 3000K + 4000K + 5700K							
CCT Selection DIP Switch	YES							
Luminous Flux (lm) ±5%	Non-DIM	1-CCT	640-760	840-950	1080-1210	1700-1900	2250-2500	2970-3300
	DIM		610-730	800-920	1040-1170	1660-1860	2200-2450	2920-3250
	Non-DIM	3-CCT	650-790	855-1045	1110-1355	1710-2090	2135-2610	2820-3445
	DIM		650-790	855-1045	1110-1355	1710-2090	2135-2610	2820-3445
CRI	CRI>80							
Beam Angle (°)	90°							
UGR	-							
LED Driver	Built-out							
Dimming Option	YES							
Sensor	-							
Emergency Kits	-							
Electrical Class	Class II							
Ingress Protection (IP Rating)	IP44							
Impact Resistance (IK Rating)	-							
Product Finishing(Base)	White RAL 9016							
Materials of Optics	PC							
Materials of Housing	Aluminium							
Lifetime (hr)	50,000h							
Glow wire test (°C)	850°C							
Operating Temp. (°C)	-20°C ~45°C							
Storage Temp. (°C)	-20°C ~60°C							
Installation	Recessed							

Measurement

Model	Dimension(mm)				Size(mm)	Product Weight (Kg)		Package weight (Kg)		Carton Size(cm)	Qty/CTN	20GP (pcs)	40HQ (pcs)
	A	B	C	D		N.W/PC	G.W/PC	N.W/CTN	G.W/CTN				
JR216-3"	115	45	85	75	Ø115*45	0.2	0.24	8.7	10	42*39*30	36	17640	41760
JR216-3.5"	129	45	98	89	Ø129*45	0.3	0.4	14.4	15.6	48*46.5*30	36	12096	28800
JR216-4"	152	48	121	109	Ø152*48	0.45	0.56	13.5	15	52.5*38*32	24	11088	25344
JR216-5"	175	52	140	129	Ø175*52	0.56	0.66	7.9	9	43.5*40.5*26	12	6720	16800
JR216-7"	203	56	171	157	Ø203*56	0.65	0.8	9.6	10.7	48.5*45.5*26	12	5760	14520
JR216-8"	228	63	200	210	Ø228*63	0.76	0.98	5.9	7	49.5*27*27.5	6	4656	10746

Driver Datasheet (Non-Dimmable)

Total load wattage		8W	10W	15W	20W	25W	35W
Output	Output Voltage range	DC28-40V					
	Rated output current	180mA	230mA	350mA	500mA	600mA	850mA
	Line Regulation	±5%					
	Setup, Rise Time	1S					
	Flickering Index	-					
Input	Input Voltage	AC200-240V					
	Rated Input Voltage(V)	AC230V					
	Frequency	50Hz					
	Input Current	≤0.05A	≤0.06A	≤0.09A	≤0.12A	≤0.14A	≤0.2A
	Rated Input Current	0.04A	0.05A	0.08A	0.1A	0.13A	0.17A
	Power Factor	0.9					
	THD	<20% @230V					
	Efficiency	78%	80%	82%	82%	83%	85%
	No load wattage	<1W					
	Protection	Short circuit protection	Pass				
Over voltage protection		Pass					
Over temperature protection		Pass					
Safety &EMC	Withstand voltage	I/P-O/P: 3.75KVac, <5mA 60S					
	Isolation Resistance	I/P-O/P: 500VDC, ≥100M Ω					
	Surge	IEC61000-4-5(L-N:1KV)					
	EMC Emission	EN55015, EN61000-3-2					
EMC Immunity	EN61000-4-2,3,4,5,6,8,11; EN61547						

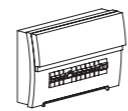
Driver Datasheet (Triac Dimmable)

Total load wattage		8W	10W	15W	20W	25W	35W
Output	Output Voltage range	DC28-38V		DC23-40V			
	Rated output current	190mA	230mA	330mA	500mA	600mA	800mA
	Line Regulation	±5%					
	Setup, Rise Time	1S					
	Flickering Index	-				<10%	
Input	Input Voltage	AC200-240V					
	Rated Input Voltage(V)	AC230V					
	Frequency	50Hz					
	Input Current	≤0.05A	≤0.06A	≤0.09A	≤0.12A	≤0.14A	≤0.2A
	Rated Input Current	0.04A	0.05A	0.08A	0.1A	0.13A	0.17A
	Power Factor	0.9					
	THD	<20% @230V					
	Efficiency	≥78%	≥82%	≥82%	≥85%	≥85%	≥86%
	No load wattage	<1W					
	Protection	Short circuit protection	Pass				
Over voltage protection		Pass					
Over temperature protection		Pass					
Safety & EMC	Withstand voltage	I/P-O/P: 3.75KVac, <5mA 60S					
	Isolation Resistance	I/P-O/P: 500VDC, ≥100M Ω					
	Surge	IEC61000-4-5 (L-N:0.5KV)				IEC61000-4-5 (L-N:1KV)	
	EMC Emission	EN55015, EN61000-3-2					
	EMC Immunity	EN61000-4-2,3,4,5,6,8,11; EN61547					

Installation Procedure

WARNING ⚡

1. Switch off before installation / maintenance.
2. Switch on only after complete installation and examination of the circuit.
3. Professional electrician for installation and maintenance only.

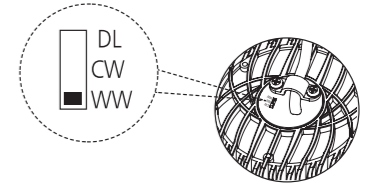


Turn Off power supply before starting any installation. Read instructions & check you have all the tools & accessories to complete the installation correctly.

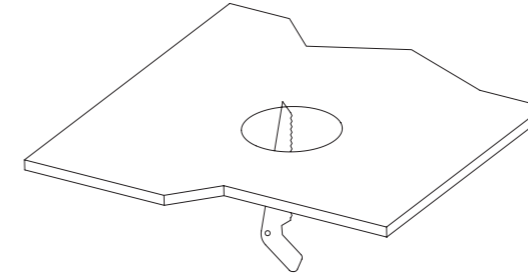
Recessed Installation

For the product with Slide Switch of Color Selection, please select the CCT before installation. (Ignore these steps if without the function)

Slide switch for color selection

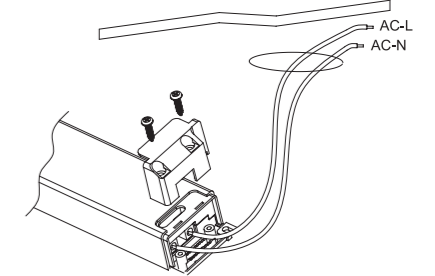


Step 1



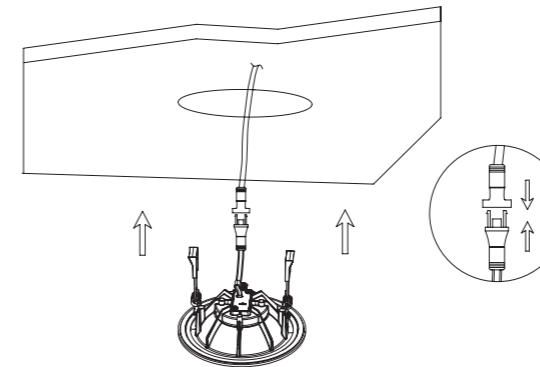
Open a hole according to the cutout size of led downlight.

Step 2



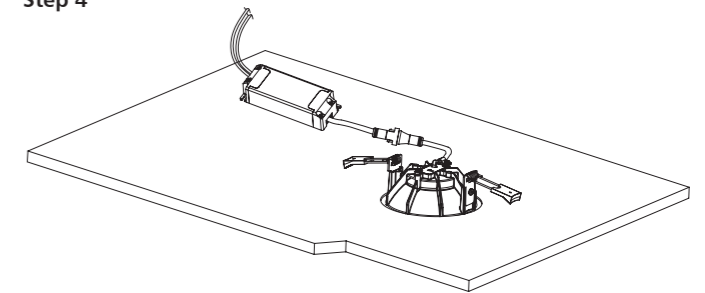
Use screw-driver to open the driver terminal cover, feed the main AC wire L, N. in terminal block respectively, then fix the cover back..

Step 3



Connect the downlight with driver, hold back the spring clip then push the downlight into the hole.

Step 4



Make sure the downlight fixed tightly in ceiling, turn on the power.

