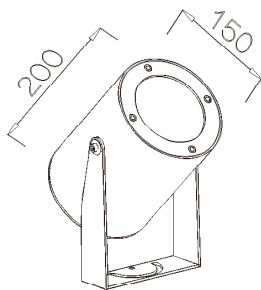


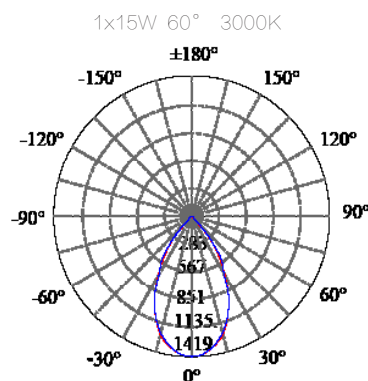
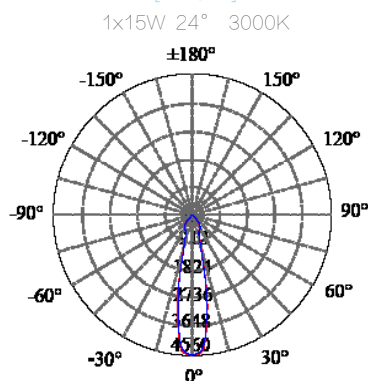
- 316L# stainless steel housing
- 316# stainless steel screws/ Integral gear
- Fire resistant silicone seal waterproof gasket
- 8mm thick toughened FLUSH glass with trim
- CE/ SAA/ IP65/ Class 1
- Lamp: CREE COB
- CCT: 3000K/4000K/5000K/CRI \geq 80 (Optional: CRI 95)
- Beam Angle: 12° / 24° / 36° / 60°
- Philips Driver: 220-240Vac/ Constant current/ WT:-20~+50° C
- Warranty: 3 years (Optional: 5 years)

- **CODE** **COLOR**
 SPRSSM01520 MIRRORRED
 SPRSSB01520 BRUSHED

POWER: 1x15W/20W/30W



• PHOTOMETRIC [Unit: cd]



• POWER DETAIL

1x15W	CREE CXA1512	12°	1319lm	/24°	1319lm	/36°	1299lm	/60°	1279lm
1x20W	CREE CXA2520	12°	1319lm	/24°	1758lm	/36°	1732lm	/60°	1705lm
1x30W	CREE CXA2520	12°	1319lm	/24°	2638lm	/36°	2598lm	/60°	2558lm