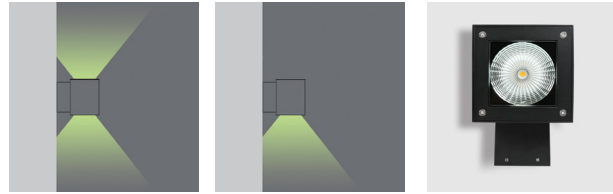




# XT LIGHTING DATASHEET: UDSA 200 Series 400/600mm



- Extruded & die-cast aluminium housing
- DuPont outdoor UV resistant powdercoat finish
- 304# stainless steel screws/ Integral gear
- Fire resistant silicone seal waterproof gasket
- 8mm thick toughened FLUSH glass with trim
- CE/ SAA/ IP65/ Class 1
- Lamp: CREE COB
- CCT: 3000K/4000K/5000K/CRI  $\geq$  80 (Optional: CRI 95)
- Beam Angle: 12° /24° /36° /60°
- Philips Driver: 100-240VAC/ Constant current/ WT:-30~+70° C
- Warranty: 3 years (Optional: 5 years)

- **CODE**      **COLOR**
- UDSB20402    BLACK
- UDSG20402    GREY
- UDSW20402    WHITE

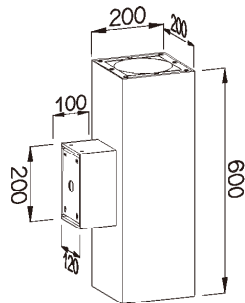
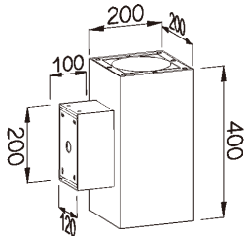
POWER: 2x20/30/40/60W

- **CODE**      **COLOR**
- UDSB20602    BLACK
- UDSG20602    GREY
- UDSW20602    WHITE

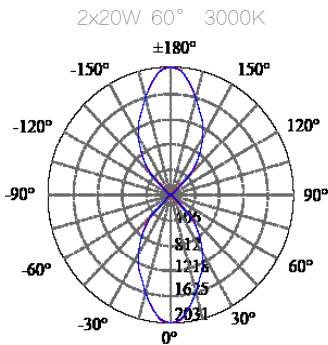
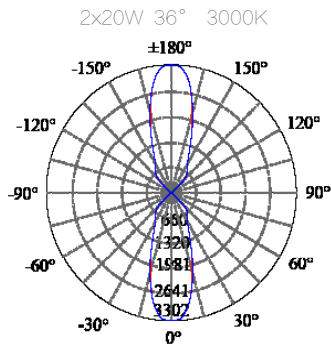
POWER: 2x20/30/40/60W

- **CODE**      **COLOR**
- UDSB20401    BLACK
- UDSG20401    GREY
- UDSW20401    WHITE

POWER: 1x20/30/40/60W



• **PHOTOMETRIC [Unit: cd]**



• **POWER DETAILS**

|       |              |     |         |      |         |      |         |      |         |
|-------|--------------|-----|---------|------|---------|------|---------|------|---------|
| 2x20W | CREE CXA2520 | 12° | 4886lm  | /24° | 4672lm  | /36° | 4459lm  | /60° | 4247lm  |
| 2x30W | CREE CXA2520 | 12° | 7329lm  | /24° | 7008lm  | /36° | 6688lm  | /60° | 6370lm  |
| 2x40W | CREE CXA2530 | 12° | 9784lm  | /24° | 9342lm  | /36° | 8922lm  | /60° | 8495lm  |
| 2x60W | CREE CXA2520 | 12° | 14658lm | /24° | 14032lm | /36° | 13321lm | /60° | 12758lm |
| 1x20W | CREE CXA2520 | 12° | 2448lm  | /24° | 2349lm  | /36° | 2234lm  | /60° | 2127lm  |
| 1x30W | CREE CXA2520 | 12° | 3756lm  | /24° | 3566lm  | /36° | 3374lm  | /60° | 3185lm  |
| 1x40W | CREE CXA2530 | 12° | 4876lm  | /24° | 4633lm  | /36° | 4478lm  | /60° | 4270lm  |
| 1x60W | CREE CXA2530 | 12° | 7346lm  | /24° | 7033lm  | /36° | 6562lm  | /60° | 6269lm  |

email: [sales@xt.lighting](mailto:sales@xt.lighting)