



XT LIGHTING DATASHEET: BLFLG 200 Series

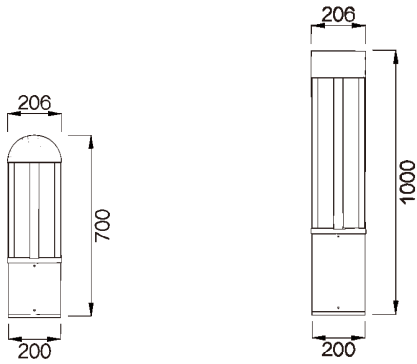


- Extruded & die-casting aluminium housing
- DuPont outdoor UV resistant powdercoat finish
- 304# stainless steel fasten screws/ Integral gear
- Fire-resistant silicone seal waterproof gasket
- 4mm thick PMMA diffuser
- CE/ SAA/ IP65/ Class 1
- Lamp: CREE XP-E LED
- CCT: 3000K/4000K/5000K/CRI \geq 80 (Optional; CRI 95)
- Philips Driver: 220-240Vac/ Constant current/ WT:-20~+50° C
- Warranty: 3 years (Optional: 5 years)

- | | | | |
|---------------|--------------|---------------|--------------|
| • CODE | COLOR | • CODE | COLOR |
| BLRFPB2070 | BLACK | BLRFPB20100 | BLACK |
| BLRFPG2070 | GREY | BLRFPG20100 | GREY |

POWER:1x20/30W

POWER:1x20/30W



- **POWER DETAILS**
 1x20W CREE CXA2520 1786lm
 1x30W CREE CXA2520 2525lm

email: sales@xt.lighting