



# XT LIGHTING DATASHEET: BLFLG 150 Series



- Extruded & die-casting aluminium housing
- DuPont Outdoor UV resistant powdercoat finish
- 304# stainless steel fasten screws/ Integral gear
- Fire-resistant silicone seal waterproof gasket
- 4mm thick PMMA diffuser
- CE/ SAA/ IP65/ Class 1
- Lamp: CREE XP-E LED
- CCT: 3000K/4000K/5000K/CRI  $\geq$  80 (Optional; CRI 95)
- Philips Driver: 220-240Vac/ Constant current/ WT:-20~+50° C
- Warranty: 3 years (Optional; 5 years)

• **CODE**      **COLOR**

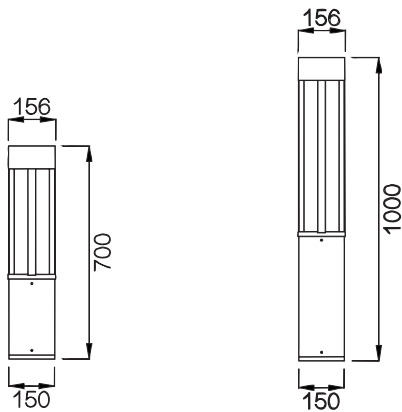
BLRFPB1570 BLACK  
BLRFPG1570 GREY

POWER:1x15/20W

• **CODE**      **COLOR**

BLRFPB15100 BLACK  
BLRFPG15100 GREY

POWER:1x15/20W



• **POWER DETAILS**

1x15W CREE CXA1512 1267lm  
1x20W CREE CXA2520 1715lm

email: [sales@xt.lighting](mailto:sales@xt.lighting)