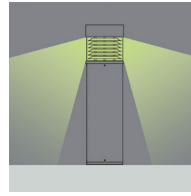




XT LIGHTING DATASHEET: BLFL 200 SERIES



- Extruded & die-casting aluminium housing
- DuPont outdoor UV resistant powdercoat finish
- 304# stainless steel fasten screws/ Integral gear
- Fire-resistant silicone seal waterproof gasket
- 4mm thick PMMA diffuser
- CE/ SAA/ IP65/ Class 1
- Lamp: CREE COB
- CCT: 3000K/4000K/5000K/CRI \geq 80 (Optional: CRI 95)
- Philips Driver: 220-240Vac/ Constant current/ WT:-20~+50° C
- Warranty: 3 years (Optional: 5 years)

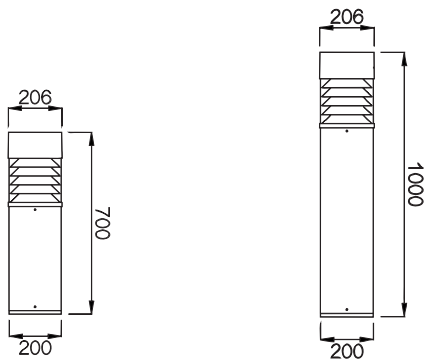
• CODE	COLOR	• CODE	COLOR
--------	-------	--------	-------

BLFLB2070 BLACK
BLFLG2070 GREY

BLFLB20100 BLACK
BLFLG20100 GREY

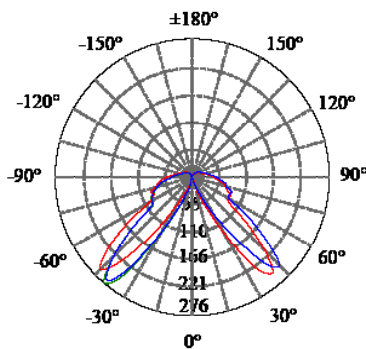
POWER:1x20/30W

POWER:1x20/30W



• PHOTOMETRIC [Unit::cd]

1x20W 3000K



• POWER DETAILS

1x20W CREE CXA2520 1211lm
1x30W CREE CXA2520 1729lm

email: sales@xt.lighting