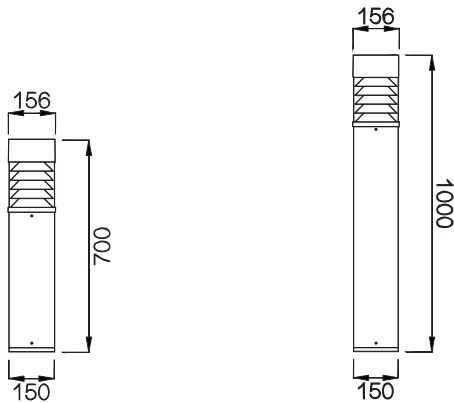
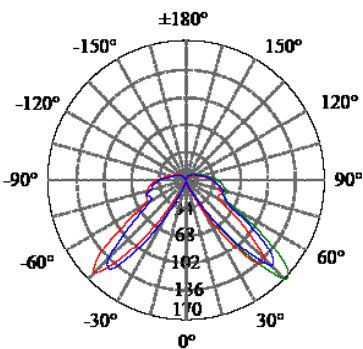


- 316L# stainless steel housing
- 316# stainless steel screws/ Integral gear
- Fire-resistant silicone seal waterproof gasket
- 4mm thick PMMA diffuser
- CE/ SAA/ IP65/ Class 1
- Lamp: CREE COB
- CCT: 3000K/4000K/5000K/CRI \geq 80 (Optional: CRI 95)
- Philips Driver: 220-240Vac/ Constant current/ WT:-20~+50° C
- Warranty: 3 years (Optional: 5 years)

- | | | | |
|----------------|--------------|----------------|--------------|
| • CODE | COLOR | • CODE | COLOR |
| BLRFLSSM570 | MIRRORED | BLRFLSSM15100 | MIRRORED |
| BLRFLSSB1570 | BRUSHED | BLRFLSSB15100 | BRUSHED |
| POWER:1x15/20W | | POWER:1x15/20W | |



• **PHOTOMETRIC [Unit: cd]**
1x15W 3000K



- **POWER DETAILS**
1x15W CREE CXA1512 867lm
1x20W CREE CXA2520 1180lm