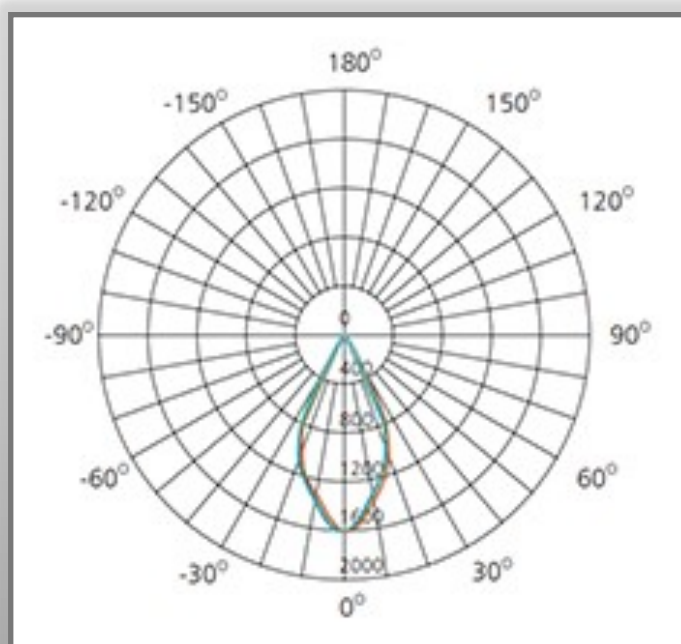




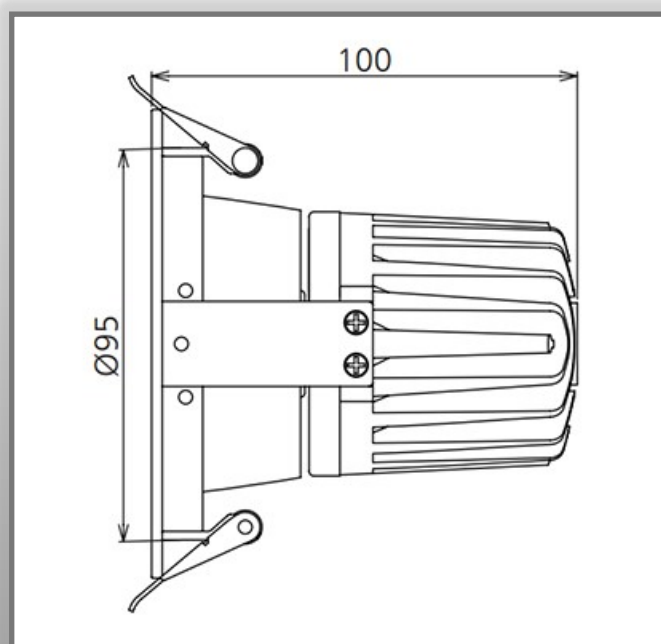
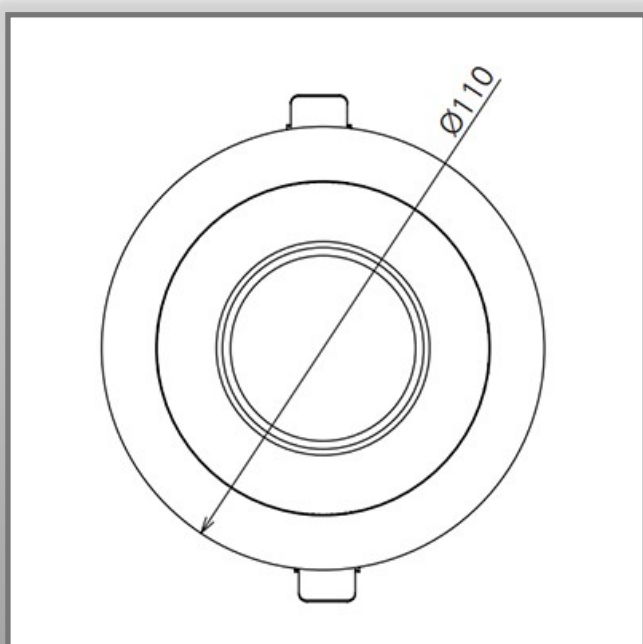
ANTI-GLARE LED SEMI-SPECULAR DOWNLIGHT

Triac dim, 0-10V dim, DALI dim
 45° wide beam angle
 95-100mm cut-out
 CCT: 2700K 3000K 4000K 5000K
 IP20

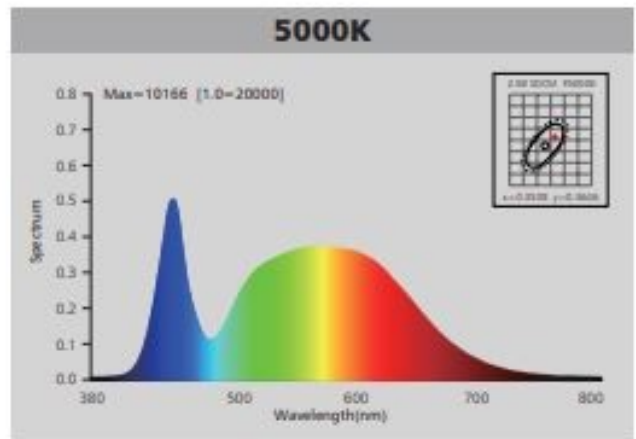
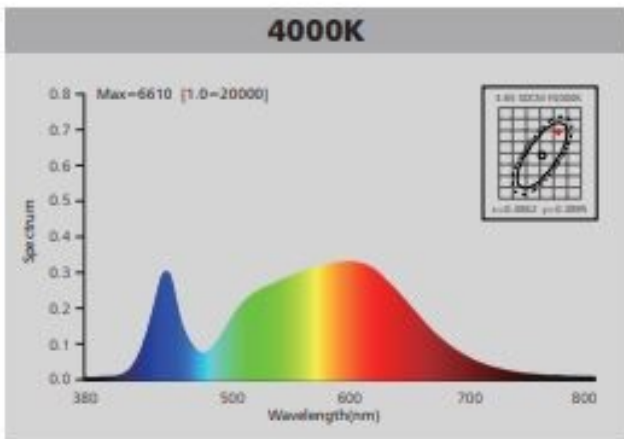
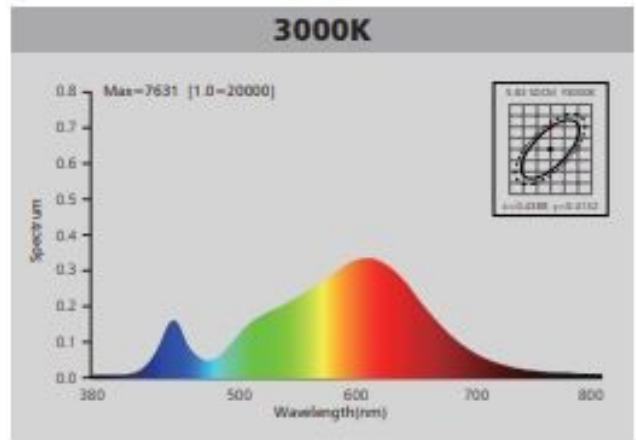
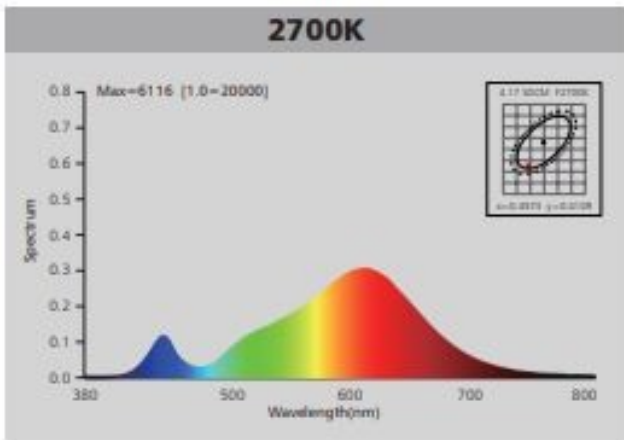




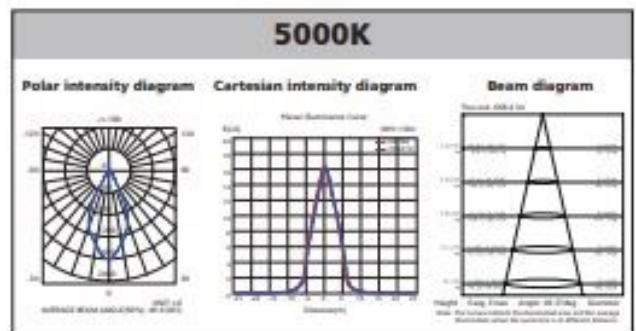
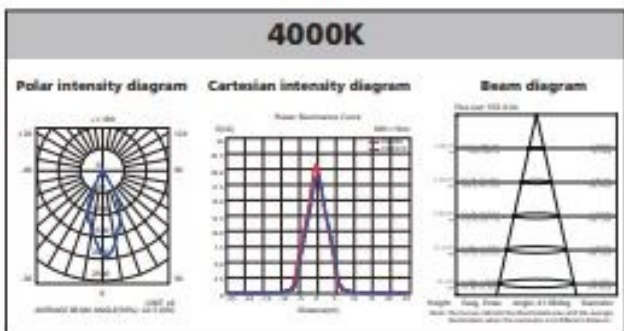
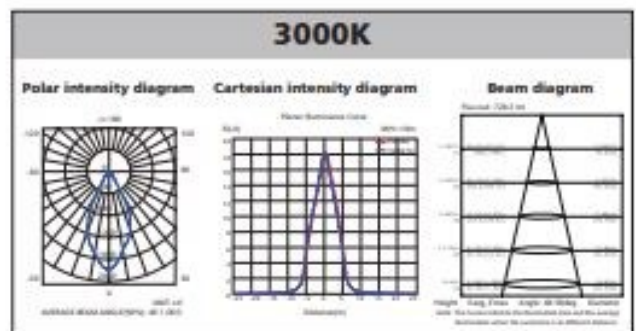
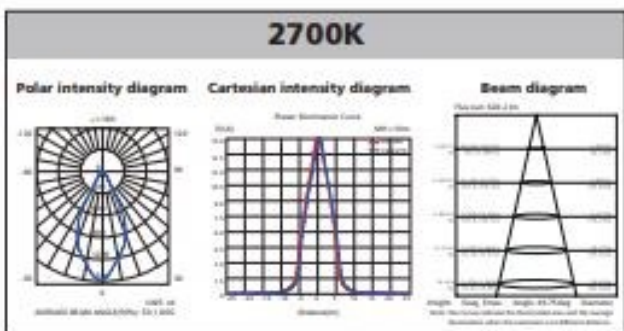
Power	Voltage	Power Factor	Lumen (±5%)	CCT	CRI	Dimmable	Dimension (mm)	Cutout (mm)
13W	AC240V	≥0.9	740	2700K	≥80	Yes	Ø110*100	95-100
13W	AC240V	≥0.9	780	3000K	≥80	Yes	Ø110*100	95-100
13W	AC240V	≥0.9	835	4000K	≥80	Yes	Ø110*100	95-100
13W	AC240V	≥0.9	850	5000K	≥80	Yes	Ø110*100	95-100



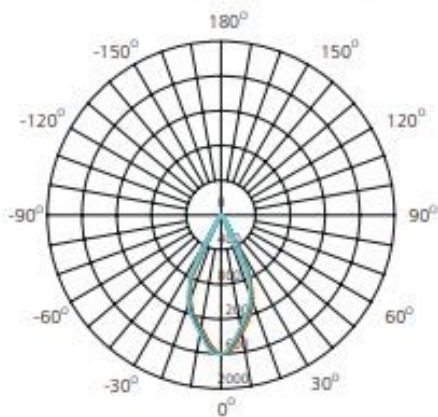
AG110 13W SPECTRAL DISTRIBUTION



Photometric Diagram



Polar Diagram Comparison



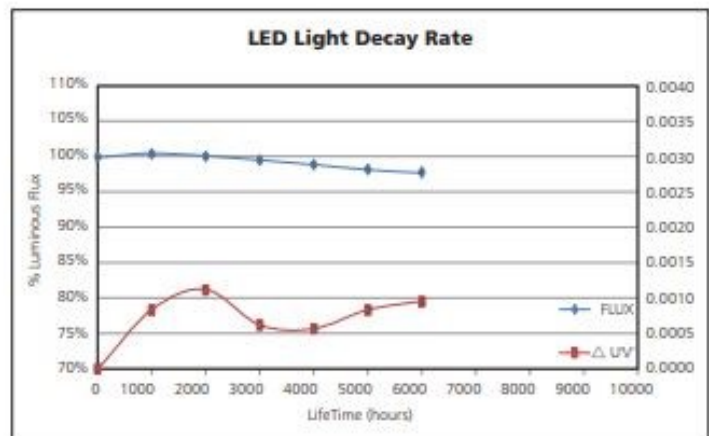
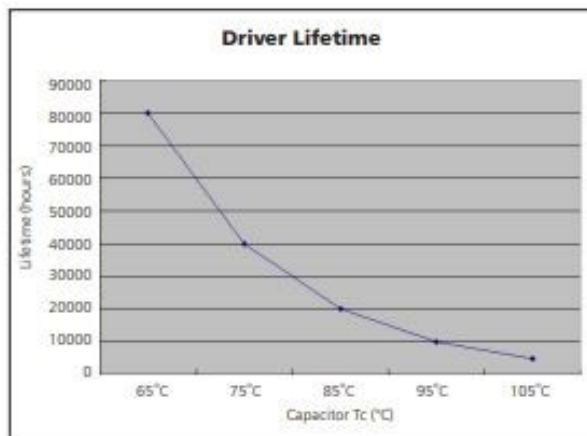
UNIT: cd

- C0/180, 116.6 deg
- C30/210, 113.6 deg
- C60/240, 106.1 deg
- C90/270, 100.1 deg



AVERAGE BEAM ANGLE (50%): 49.9DEG

Driver lifetime & LED light decay rate



Temperature

- The testing is operated at 25°C
- The lifetime of capacitor, minimum of 5,000 hours if operated at 105°C, will be doubled whenever the temperature drops 10°C.
- The highest withstand temperature of IC, MOS could be 120°C
- The highest withstand temperature of LED junction temperature is 150°C

