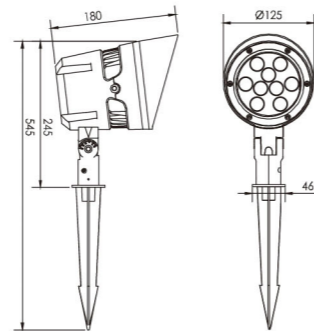


Flood Light Series

TS1104S



Specification

Product Code	TS1104SB-9	TS1104SA-9
LED Brand	CREE	CREE
LED Quantity	9pcs	9pcs
Rated Power	20W	11W
Input Voltage	24v DC	24v DC
Frequency Range	50/60Hz	50/60Hz
Color	Single	Single
Beam Angle	5° 12.5° 20° 30° 45° 60° 15X30° 10X60°	
Control Model	CC	CC
Life	50000H	50000H
Protection Grade	IP66	IP66
Ambient Temperature	- 25°C ~ 50°C	- 25°C ~ 50°C
Ambient Humidity	10% ~ 90%	10% ~ 90%

Distribution Curve Flux (SBC Case)

TS1104SB-9

