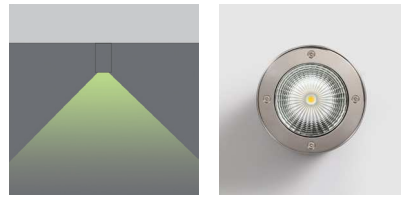
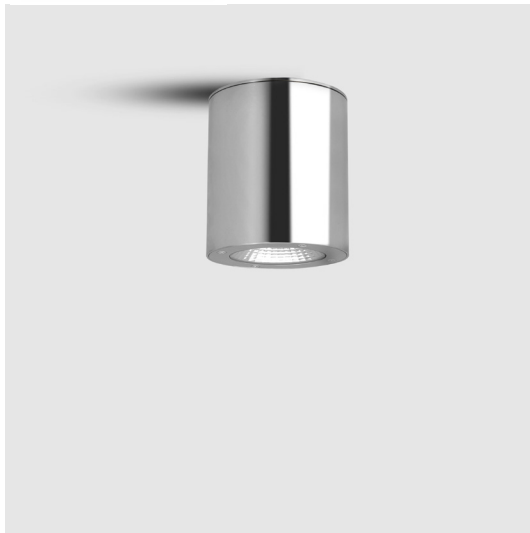


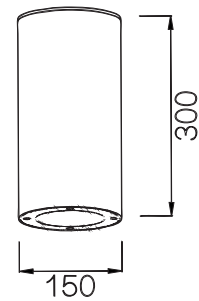
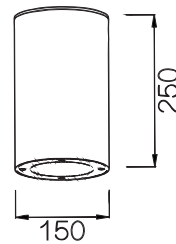
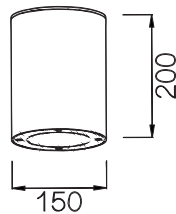
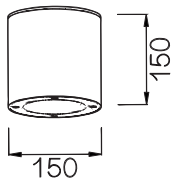


# XT LIGHTING DATASHEET XT-SDSSR 100 Series

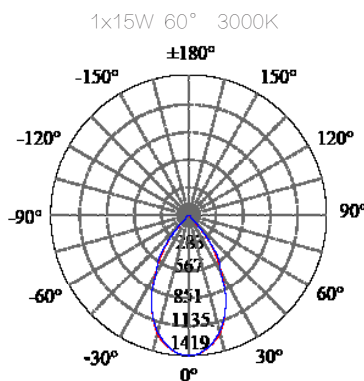
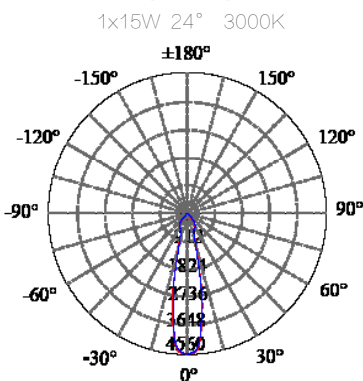


- 316L# stainless steel housing
- 316# stainless steel screws/ Integral gear
- Fire resistant silicone seal waterproof gasket
- 8mm thick toughened FLUSH glass with trim
- CE/ SAA/ IP65/ Class 1
- Lamp: CREE COB
- CCT: 3000K/4000K/5000K/CRI  $\geq$  80 (Optional: CRI 90/95)
- Beam Angle: 12° /24° / 36° / 60°
- Philips Driver: 220-240Vac/ Constant current/ WT:-20~+50° C
- Warranty: 3 years (Optional: 5 years)

- |                    |              |                    |              |                    |              |                    |              |
|--------------------|--------------|--------------------|--------------|--------------------|--------------|--------------------|--------------|
| • <b>CODE</b>      | <b>COLOR</b> | • <b>CODE</b>      | <b>COLOR</b> | • <b>CODE</b>      | <b>COLOR</b> | • <b>CODE</b>      | <b>COLOR</b> |
| SDRSSM1515         | MIRRORED     | SDRSSM1520         | MIRRORED     | SDRSSM1525         | MIRRORED     | SDRSSM1530         | MIRRORED     |
| SDRSSB1515         | BRUSHED      | SDRSSB1520         | BRUSHED      | SDRSSB1525         | BRUSHED      | SDRSSB1530         | BRUSHED      |
| POWER: 1x15/20/30W |              | POWER: 1x15/20/30W |              | POWER: 1x15/20/30W |              | POWER: 1x15/20/30W |              |



• **PHOTOMETRIC [Unit: cd]**



• **POWER DETAILS**

1x15W	CREE CXA1512	12°	1415lm	/24°	1320lm	/36°	1299lm	/60°	1279lm
1x20W	CREE CXA2520	12°	1890lm	/24°	1758lm	/36°	1732lm	/60°	1705lm
1x30W	CREE CXA2520	12°	2854lm	/24°	2638lm	/36°	2598lm	/60°	2558lm