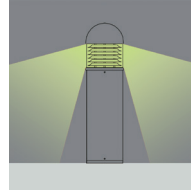
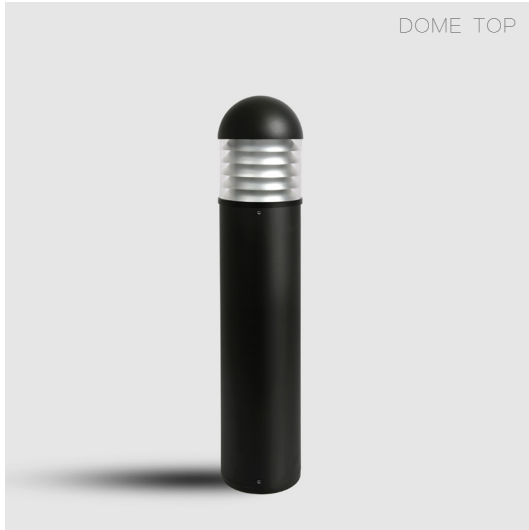


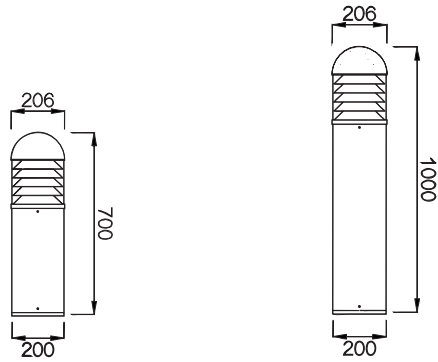


XT LIGHTING DATASHEET: BLDL 200 Series

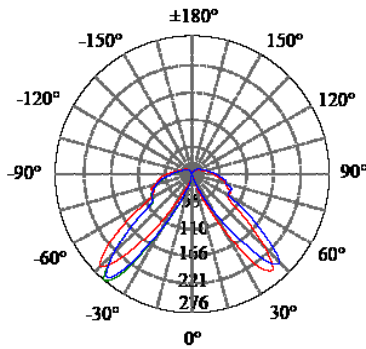


- Extruded & die-casting aluminium housing
- DuPont outdoor UV resistant powdercoat finish
- 304# stainless steel fasten screws/ Integral gear
- Fire-resistant silicone seal waterproof gasket
- 4mm thick PMMA diffuser
- CE/ SAA/ IP65/ Class 1
- Lamp: CREE COB
- CCT: 3000K/4000K/5000K/CRI \geq 80 (Optional: CRI 95)
- Philips Driver: 220-240Vac/ Constant current/ WT:-20~+50° C
- Warranty: 3 years (Optional: 5 years)

- | | | | |
|-----------------------|--------------|-----------------------|--------------|
| • CODE | COLOR | • CODE | COLOR |
| BLRDLB2070 | BLACK | BLRDLB20100 | BLACK |
| BLRDLG2070 | GREY | BLRDLG20100 | GREY |
| POWER:1x20/30W | | POWER:1x20/30W | |



- **PHOTOMETRIC [Unit:cd]**
1x20W 3000K



- **POWER DETAILS**
1x20W CREE CXA2520 1211lm
1x30W CREE CXA2520 1729lm