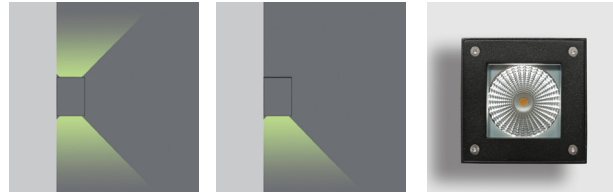




XT LIGHTING DATASHEET: UDNBSA 200 Series



- Extruded & die-cast aluminium housing
- DuPont outdoor UV resistant powdercoat finish
- 304# stainless steel screws/ Integral gear
- Fire resistant silicone seal waterproof gasket
- 8mm thick toughened FLUSH glass with trim
- CE/ SAA/ IP65/ Class 1
- Lamp: CREE COB
- CCT: 3000K/4000K/5000K/CRI \geq 80 (Optional: CRI 95)
- Beam Angle: 12° /24° / 36° / 60°
- Philips Driver: 220-240Vac/ Constant current/ WT:-20~+50° C
- Warranty: 3 years (Optional: 5 years)

- **CODE** **COLOR**
- UDSNB20202 BLACK
- UDSNG20202 GREY
- UDSNW20202 WHITE
- POWER:** 2x20/30/40W

- **CODE** **COLOR**
- UDSNB20252 BLACK
- UDSNG20252 GREY
- UDSNW20252 WHITE
- POWER:** 2x20/30/40/60W

- **CODE** **COLOR**
- UDSNB20302 BLACK
- UDSNG20302 GREY
- UDSNW20302 WHITE
- POWER:** 2x20/30/40/60W

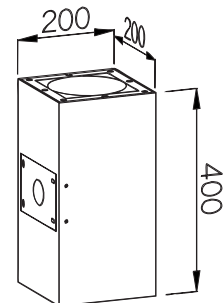
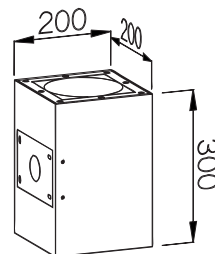
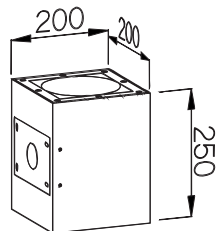
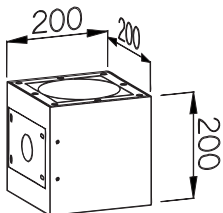
- **CODE** **COLOR**
- UDSNB20402 BLACK
- UDSNG20402 GREY
- UDSNW20402 WHITE
- POWER:** 2x20/30/40/60W

- **CODE** **COLOR**
- UDSNB20201 BLACK
- UDSNG20201 GREY
- UDSNW20201 WHITE
- POWER:** 1x20/30/40W

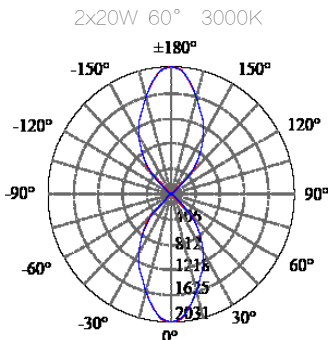
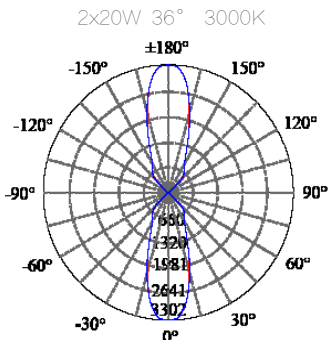
- **CODE** **COLOR**
- UDSNB20251 BLACK
- UDSNG20251 GREY
- UDSNW20251 WHITE
- POWER:** 1x20/30/40/60W

- **CODE** **COLOR**
- UDSNB20301 BLACK
- UDSNG20301 GREY
- UDSNW20301 WHITE
- POWER:** 1x20/30/40/60W

- **CODE** **COLOR**
- UDSNB20401 BLACK
- UDSNG20401 GREY
- UDSNW20401 WHITE
- POWER:** 1x20/30/40/60W



• **PHOTOMETRIC [Unit: cd]**



• **POWER DETAILS**

2x20W	CREE CXA2520	12°	4886lm	/24°	4672lm	/36°	4459lm	/60°	4247lm
2x30W	CREE CXA2520	12°	7329lm	/24°	7008lm	/36°	6688lm	/60°	6370lm
2x40W	CREE CXA2530	12°	9784lm	/24°	9342lm	/36°	8922lm	/60°	8495lm
2x60W	CREE CXA2520	12°	14658lm	/24°	14032lm	/36°	13321lm	/60°	12758lm
1x20W	CREE CXA2520	12°	2448lm	/24°	2349lm	/36°	2234lm	/60°	2127lm
1x30W	CREE CXA2520	12°	3756lm	/24°	3566lm	/36°	3374lm	/60°	3185lm
1x40W	CREE CXA2530	12°	4876lm	/24°	4633lm	/36°	4478lm	/60°	4270lm
1x60W	CREE CXA2530	12°	7346lm	/24°	7033lm	/36°	6562lm	/60°	6269lm

email: sales@xt.lighting