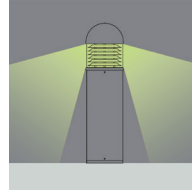


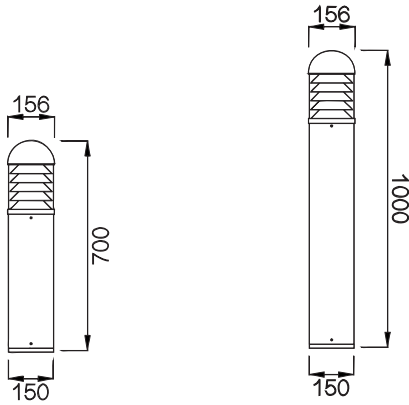


XT LIGHTING DATASHEET: BLDL 150 Series

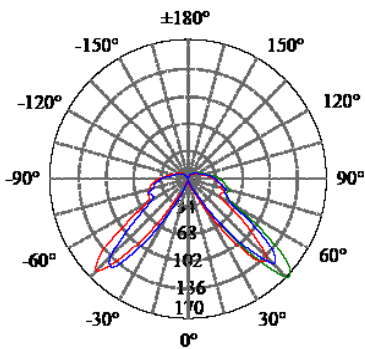


- Extruded & die-cast aluminium housing
- DuPont outdoor UV resistant powdercoat finish
- 304# stainless steel screws/ Integral gear
- Fire-resistant silicone seal waterproof gasket
- 4mm thick PMMA diffuser
- CE/ SAA/ IP65/ Class 1
- Lamp: CREE COB
- CCT: 3000K/4000K/5000K/CRI \geq 80 (Optional; CRI 95)
- Philips Driver: 220-240Vac/ Constant current/ WT:-20~+50° C
- Warranty: 3 years (Optional: 5 years)

- | | | | |
|----------------|-------|----------------|-------|
| • CODE | COLOR | • CODE | COLOR |
| BLDLB1570 | BLACK | BLDLB15100 | BLACK |
| BLDLG1570 | GREY | BLDLG15100 | GREY |
| POWER:1x15/20W | | POWER:1x15/20W | |



- PHOTOMETRIC [Unit: cd]
1x15W 3000K



- POWER DETAILS
1x15W CREE CXA1512 867lm
1x20W CREE CXA2520 1180lm

email: sales@xt.lighting