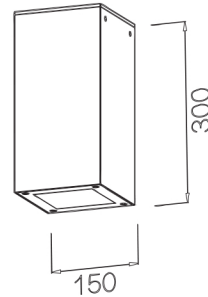
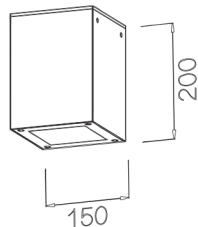
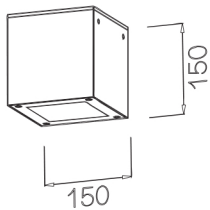
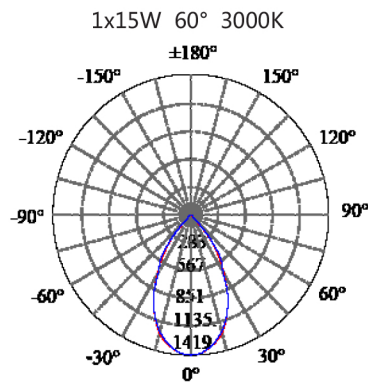
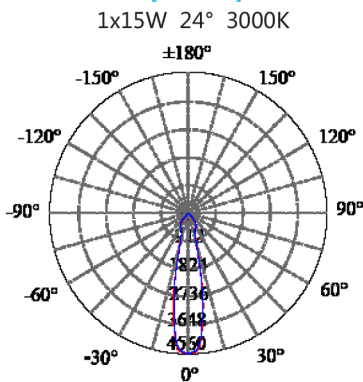


- Extruded aluminium and die-cast aluminium housing
- DuPont Outdoor UV resistant powdercoat finish
- 316# stainless steel screws/ Integral gear
- Fire resistant silicone seal waterproof gasket
- 8mm thick toughened FLUSH glass with trim
- CE/ SAA/ IP65/ Class 1
- Lamp: CREE COB
- CCT: 3000K/4000K/5000K/CRI ≥ 80 (Optional: CRI 95)
- Beam Angle: 24° / 36° / 60°
- Meanwell driver: 100-240VAC/ Constant current/ WT:-30~+70° C
- Warranty: 3 years (Optional: 5 years)

• <b>CODE</b>	<b>COLOR</b>	• <b>CODE</b>	<b>COLOR</b>	• <b>CODE</b>	<b>COLOR</b>
SDSB1515	BLACK	SDSB1520	BLACK	SDSB1530	BLACK
SDSG1515	GREY	SDSG1520	GREY	SDSG1530	GREY
SDSW1515	WHITE	SDSW1520	WHITE	SDSW1530	WHITE
<b>POWER: 1x15W/20W/30W</b>		<b>POWER: 1x15W/20W/30W</b>		<b>POWER: 1x15W/20W/30W</b>	



• **PHOTOMETRIC [Unit: cd]**



• **POWER DETAILS (DOWNLOAD IES FILES ON [www.2020light.com](http://www.2020light.com))**

1x15W	CREE CXA1512	24° 1319lm / 36° 1299lm / 60° 1279lm
1x20W	CREE CXA2520	24° 1758lm / 36° 1732lm / 60° 1705lm
1x30W	CREE CXA2520	24° 2638lm / 36° 2598lm / 60° 2558lm