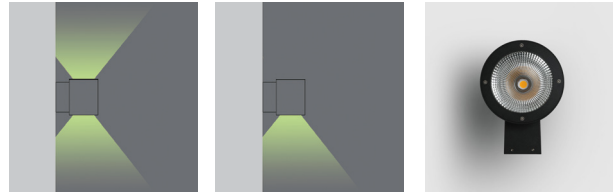




XT LIGHTING DATASHEET: UDRA150 Series



- Extruded & die-cast aluminium housing
- DuPont outdoor UV resistant powdercoat finish
- 304# stainless steel screws/ Integral gear
- Fire resistant silicone seal waterproof gasket
- 8mm thick toughened FLUSH glass with trim
- CE/ SAA/ IP65/ Class 1
- Lamp: CREE COB
- CCT: 3000K/4000K/5000K/CRI ≥ 80 (Optional: CRI 90/95)
- Beam Angle: 12° /24° / 36° / 60°
- Philips Driver: 220-240Vac/ Constant current/ WT:-20~+50° C
- Warranty: 3 years (Optional: 5 years)

• **CODE** **COLOR**
 UDRB15152 BLACK
 UDRG15152 GREY
 UDRW15152 WHITE
POWER: 2x15/20/30W

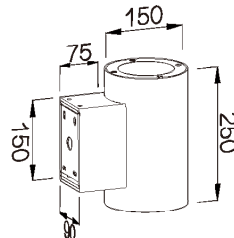
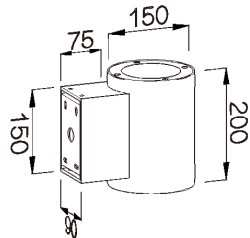
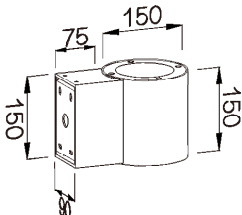
• **CODE** **COLOR**
 UDRB15202 BLACK
 UDRG15202 GREY
 UDRW15202 WHITE
POWER: 2x15/20/30W

• **CODE** **COLOR**
 UDRB15252 BLACK
 UDRG15252 GREY
 UDRW15252 WHITE
POWER: 2x15/20/30W

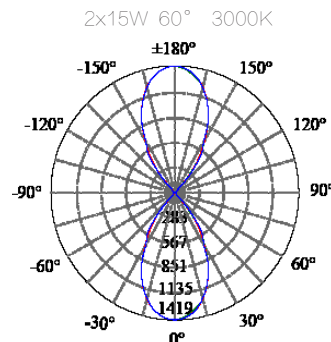
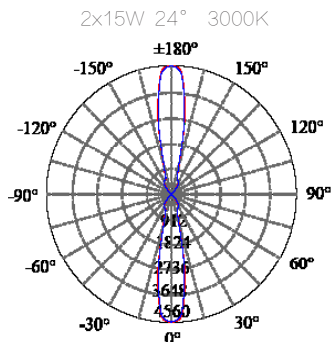
• **CODE** **COLOR**
 UDRB15151 BLACK
 UDRG15151 GREY
 UDRW15151 WHITE
POWER: 1x15/20/30W

• **CODE** **COLOR**
 UDRB15201 BLACK
 UDRG15201 GREY
 UDRW15201 WHITE
POWER: 1x15/20/30W

• **CODE** **COLOR**
 UDRB15251 BLACK
 UDRG15251 GREY
 UDRW15251 WHITE
POWER: 1x15/20/30W



• **PHOTOMETRIC [Unit:: cd]**



• **POWER DETAILS**

2x15W	CREE CXA1512	12°	2835lm	/24°	2632lm	/36°	2592lm	/60°	2552lm
2x20W	CREE CXA2520	12°	3780lm	/24°	3509lm	/36°	3456lm	/60°	3402lm
2x30W	CREE CXA2520	12°	5670lm	/24°	5264lm	/36°	5184lm	/60°	5104lm
1x15W	CREE CXA1512	12°	1415lm	/24°	1320lm	/36°	1299lm	/60°	1279lm
1x20W	CREE CXA2520	12°	1890lm	/24°	1758lm	/36°	1732lm	/60°	1705lm
1x30W	CREE CXA2520	12°	2854lm	/24°	2638lm	/36°	2598lm	/60°	2558lm

email: sales@xt.lighting