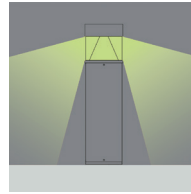


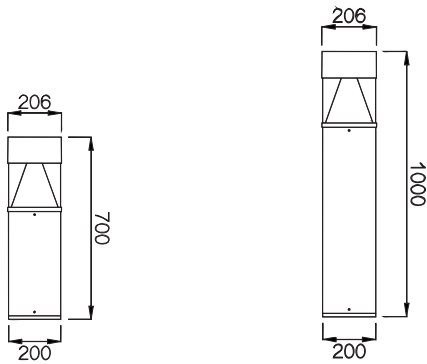


XT LIGHTING DATASHEET: BLFR 200 SERIES

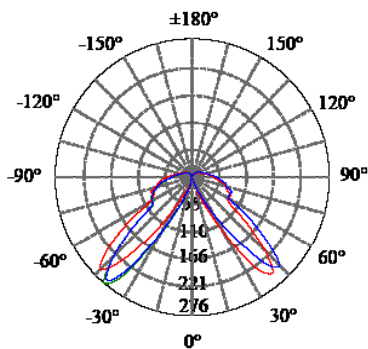


- Extruded & die-casting aluminium housing
- DuPont outdoor UV resistant powdercoat finish
- 304# stainless steel fasten screws/ Integral gear
- Fire-resistant silicone seal waterproof gasket
- 4mm thick PMMA diffuser
- CE/ SAA/ IP65/ Class 1
- Lamp: CREE XP-E LED
- CCT: 3000K/4000K/5000K/CRI \geq 80 (Optional; CRI 95)
- Philips Driver: 220-240Vac/ Constant current/ WT:-20~+50° C
- Warranty: 3 years (Optional: 5 years)

- | | | | |
|----------------|-------|----------------|-------|
| • CODE | COLOR | • CODE | COLOR |
| BLFFRB2070 | BLACK | BLFFRB20100 | BLACK |
| BLFFRG2070 | GREY | BLFFRG20100 | GREY |
| POWER:1x20/30W | | POWER:1x20/30W | |



• PHOTOMETRIC [Unit:cd]
1x20W 3000K



- POWER DETAILS
- | | | |
|-------|--------------|--------|
| 1x20W | CREE CXA2520 | 1233lm |
| 1x30W | CREE CXA2520 | 1723lm |

email: sales@xt.lighting