

- Extruded aluminium and die-cast aluminium housing
- DuPont Outdoor UV resistant powdercoat finish
- 316# stainless steel screws/ Integral gear
- Fire resistant silicone seal waterproof gasket
- 8mm thick toughened FLUSH glass with trim
- CE/ SAA/ IP65/ Class 1
- Lamp: CREE COB
- CCT: 3000K/4000K/5000K/CRI ≥ 80 (Optional: CRI 95)
- Beam Angle: 24° / 36° / 60°
- Meanwell driver: 100-240VAC/ Constant current/ WT:-30~+70° C
- Warranty: 3 years (Optional: 5 years)

• **CODE**      **COLOR**  
 SDRB1515    BLACK  
 SDRG1515    GREY  
 SDRW1515    WHITE

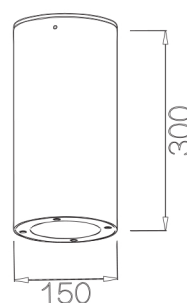
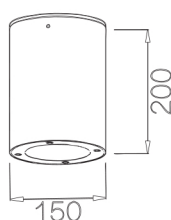
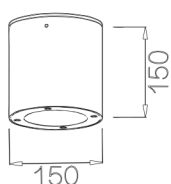
• **CODE**      **COLOR**  
 SDRB1520    BLACK  
 SDRG1520    GREY  
 SDRW1520    WHITE

• **CODE**      **COLOR**  
 SDRB1530    BLACK  
 SDRG1530    GREY  
 SDRW1530    WHITE

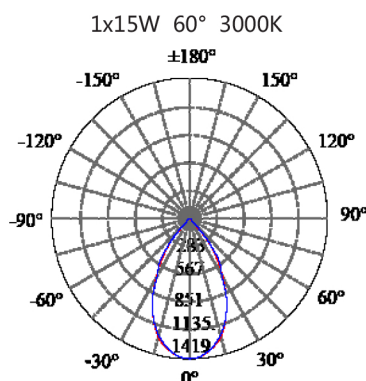
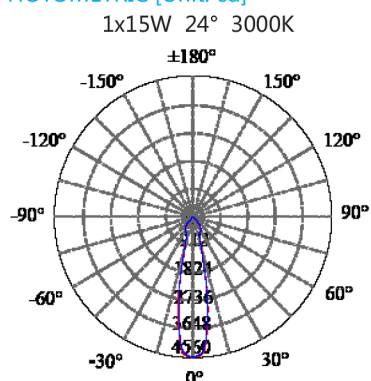
POWER:1x15W/20W/30W

POWER:1x15W/20W/30W

POWER:1x15W/20W/30W



• **PHOTOMETRIC [Unit: cd]**



• **POWER DETAILS (DOWNLOAD IES FILES ON [www.2020light.com](http://www.2020light.com))**

1x15W    CREE CXA1512    24° 1319lm / 36° 1299lm / 60° 1279lm  
 1x20W    CREE CXA2520    24° 1758lm / 36° 1732lm / 60° 1705lm  
 1x30W    CREE CXA2520    24° 2638lm / 36° 2598lm / 60° 2558lm